

NH-50PX-Z-N

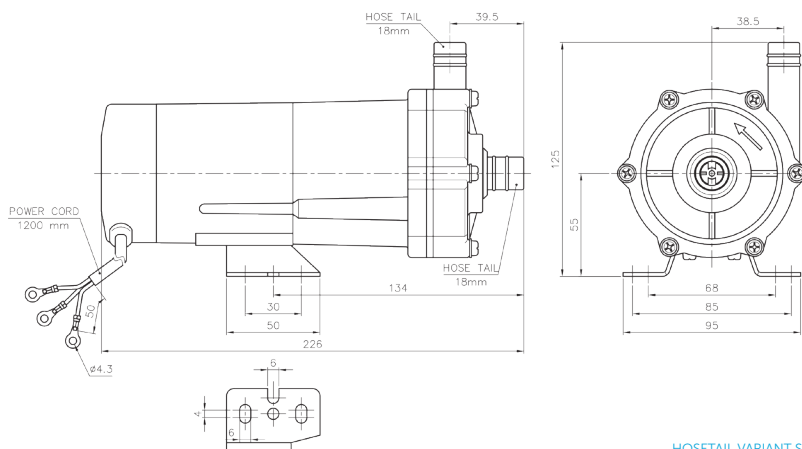


MAGNETICALLY DRIVEN, SINGLE-STAGE CENTRIFUGAL



- ☑ Up to 10l/min flow
- ☑ Up to 4.5m head
- ☑ Available with hose or threaded connections
- ☑ Compact
- ☑ Integrated Motor (110v or 230v)

SPECIFICATION



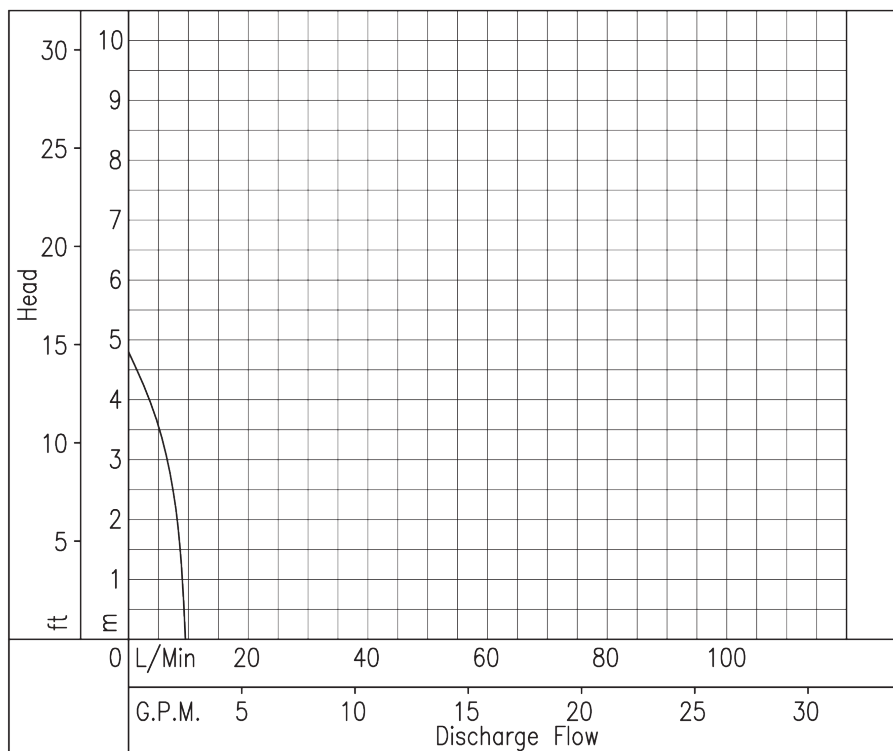
FEATURES

Temp:	Max 80°C
Pressure:	0.615 Bar (System)
Connections:	18mm or 3/4" Gas

WETTED MATERIALS

Front Cover:	PVDF
O Ring:	Viton
Impeller:	PVDF
Shaft:	Ceramic SiC
Thrust Washer:	Teflon Sic
Rear Housing:	PVDF

PERFORMANCE



March May Ltd, Howard Road, Eaton Socon, St. Neots, Cambridgeshire, PE19 8NZ, UK

Tel: +44 (0) 1480 214444 Fax: +44 (0) 1480 405336 E-mail: sales@marchmay.co.uk Website: www.marchmay.co.uk