

PO 4000 SERIES



MECHANICAL SEAL, ROTARY VANE



The 4000 series rotary vane pumps, available in 7 different displacements, are the largest Rotoflow high technology volumetric pumps. The pump housing, the rotor and every metallic component are in AISI 303 stainless. The pumping chamber and the vanes are in high impact carbon graphite. The self-lubricating property of polished stainless steel and carbon graphite makes this pump well suited for water and water based solutions. Inlet/Outlet ports are 1" NPT female threaded (1" Gas available upon request) All models are available with NBR or Viton Seals. Maximum operative temperature : 70°C (158 F)

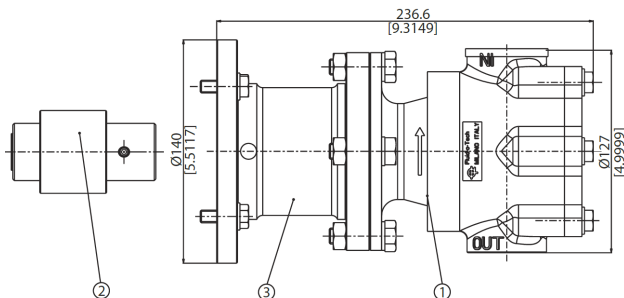
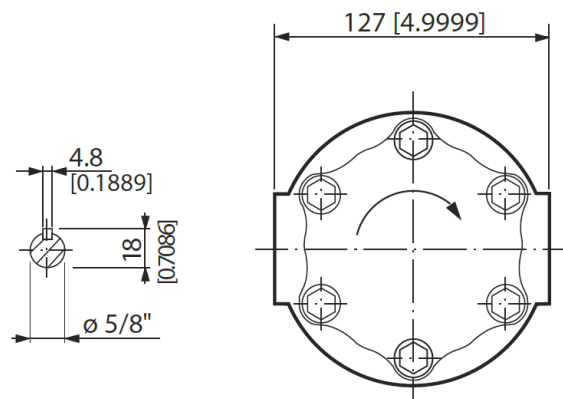
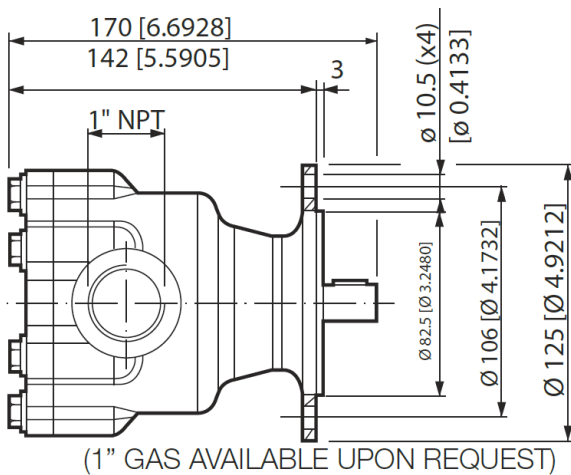
SPECIFICATION

FEATURES

Temp:	See table below
Pressure:	Max 20 Bar
Inlet:	1" GAS / NPT
Outlet:	1" GAS / NPT

WETTED MATERIALS

Pump Housing:	AISI 316
Rotors:	AISI 316
Cartridge:	Carbon Graphite



DIMENSIONS REFERS TO ADAPTER M90-B14

POS	DESCRIPTION	MATERIAL
1	PUMP	STAINLESS STEEL
2	COUPLING M90	CAST IRON
	COUPLING NEMA 56C	
	COUPLING NEMA 143TC-145TC	
3	ADAPTOR M90 B14	ALUMINIUM
	ADAPTOR NEMA 56C	
	ADAPTOR NEMA 143TC-145TC	



March May Ltd, Howard Road, Eaton Socon, St. Neots, Cambridgeshire, PE19 8NZ, UK

Tel: +44 (0) 1480 214444 Fax: +44 (0) 1480 405336 E-mail: sales@marchmay.co.uk Website: www.marchmay.co.uk

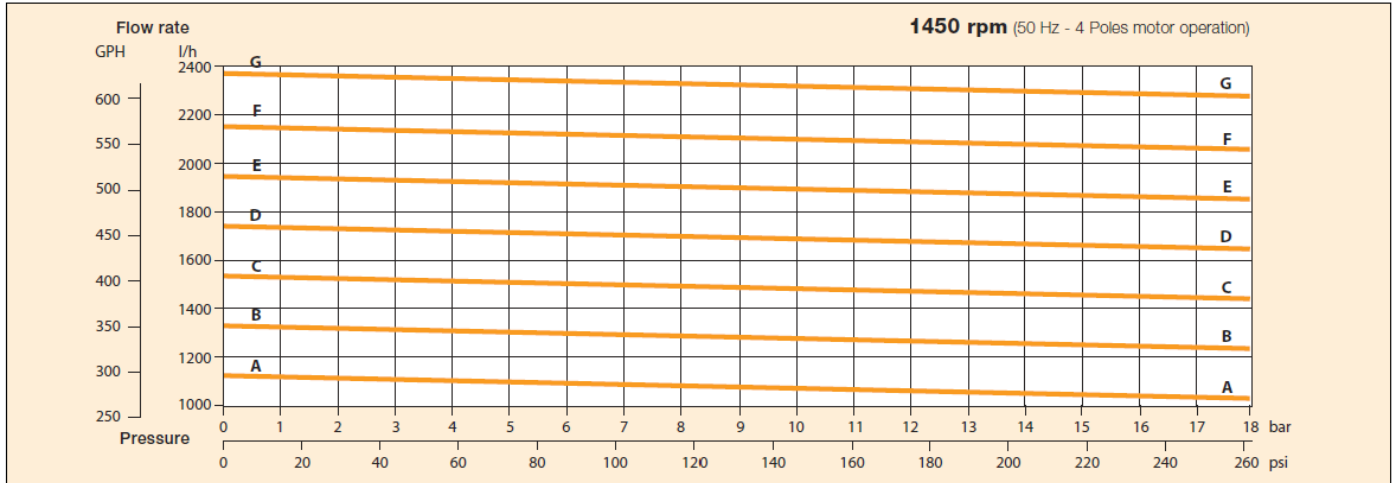
PO 4000



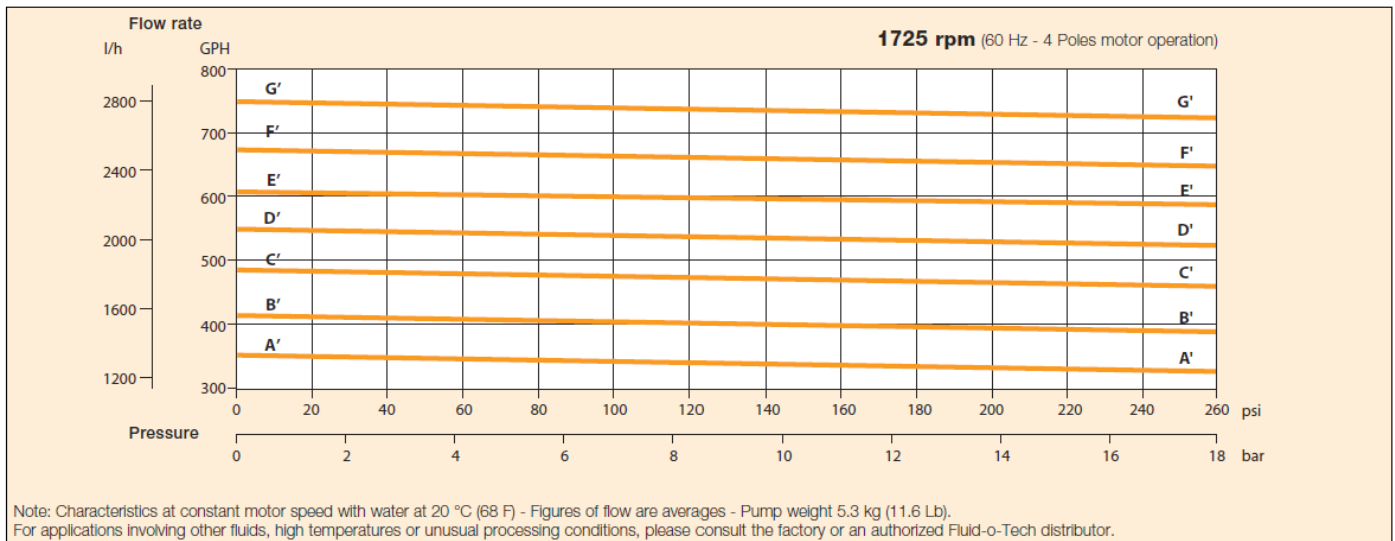
MECHANICALLY SEALED, ROTARY VANE

PERFORMANCE

PO MODEL	4010	4020	4040	4060	4080	4100	4120
Figure	A - A	B - B	C - C	D - D	E - E	F - F	G - G



PO MODEL	4010	4020	4040	4060	4080	4100	4120
Figure	A' - A'	B' - B'	C' - C'	D' - D'	E' - E'	F' - F'	G' - G'



March May Ltd, Howard Road, Eaton Socon, St. Neots, Cambridgeshire, PE19 8NZ, UK

Tel: +44 (0) 1480 214444 Fax: +44 (0) 1480 405336 E-mail: sales@marchmay.co.uk Website: www.marchmay.co.uk