

PW-F RANGE

MAGNETICALLY DRIVEN, SINGLE-STAGE CENTRIFUGAL



- ☑ Industrial pump for use with chemicals
- ☑ Available with threaded, or Flange connections
- ☑ Used in a wide variety of applications
- ☑ Available in PP, PVDF (PW-K), & ETFE (PW-F)
- ☑ ATEX Certification available for PW-F Range

MODEL IDENTIFICATION

NH -400PW-F-FV-L

(1) (2) (3) (4)

POS	DESCRIPTION	CODE
1	MODEL	400PW-F, 401PW-F, 402PW-F, ETC
2	BEARING	F = CARBON, R = RULON, A = CERAMIC

POS	DESCRIPTION	CODE
3	O RING	V = FKM, N = NBR, E = EPDM
4	IMPELLER SIZE	L = SG 1.2, M = SG 1.5, H = SG 1.9

SPECIFICATION

MODEL	FLANGE SIZE		BEST EFFICIENCY POINT (M - L/MIN)		MOTOR OUTPUT (KW)
	OUTLET (MM)	INLET (MM)	SPECIFIC GRAVITY	50HZ	
NH-350PW-F	25	25	1.2	10.0 - 80	0.37
NH-351PW-F	25	25	1.2	15.0 - 100	0.75
NH-353PW-F	32	32	1.2	23.0 - 100	1.5
NH-353PW-F	32	32	1.2	24.0 - 150	2.2
NH-400PW-F	40	40	1.2	13.3 - 100	0.37
NH-401PW-F	40	40	1.2	18.7 - 200	0.75
NH-402PW-F	40	50	1.2	25.1 - 200	1.5
NH-403PW-F	40	50	1.2	32.0 - 240	2.2
NH-405PW-F	40	50	1.2	24.5 - 390	3.7
NH-505PW(L)-F	50	65	1.2	22.0 - 500	3.7
NH-505PW(H)-F	50	65	1.2	26.5 - 350	3.7
NH-507PW-F	50	65	1.2	24.0 - 600	5.5
NH-655PW-F	65	80	1.2	12.2 - 600	3.7
NH-657PW-F	65	80	1.2	17.0 - 700	5.5
NH-6510PW-F	65	80	1.2	22.2 - 760	7.5
NH-6515PW-F	65	80	1.2	26.8 - 1080	11



March May Ltd, Howard Road, Eaton Socon, St. Neots, Cambridgeshire, PE19 8NZ, UK

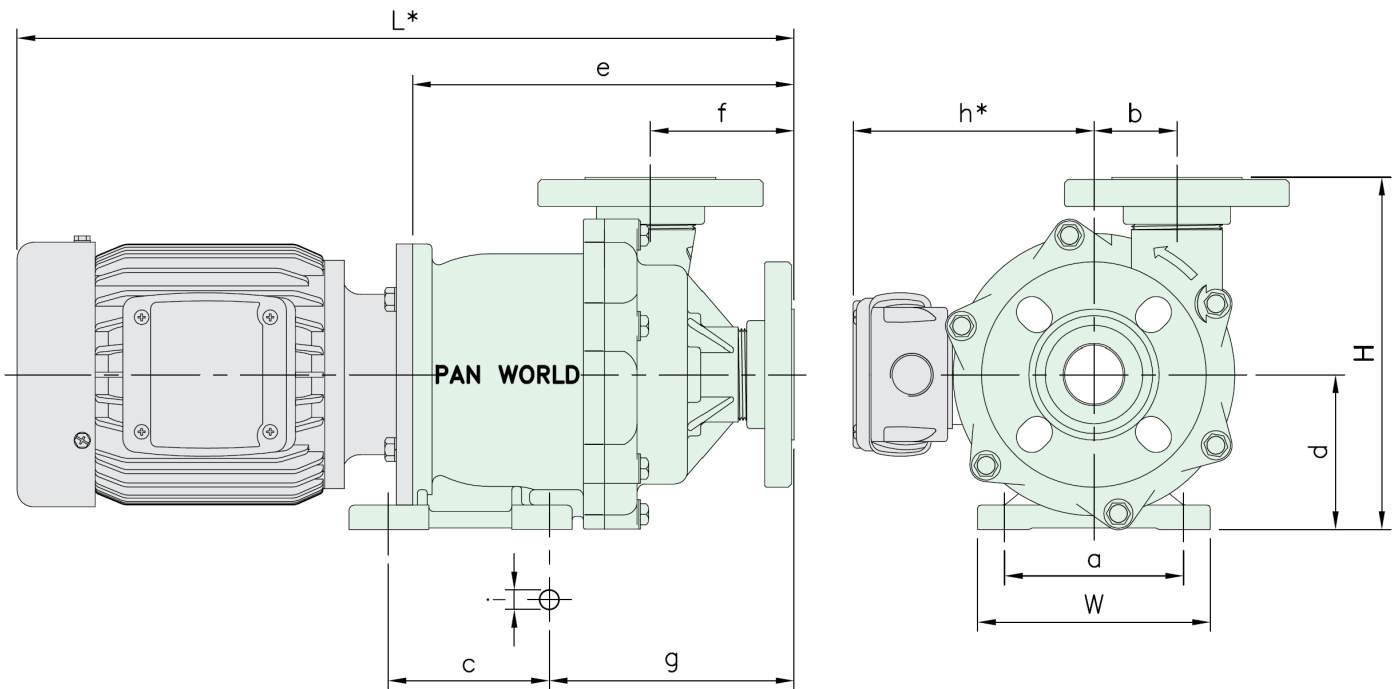
Tel: +44 (0) 1480 214444 Fax: +44 (0) 1480 405336 E-mail: sales@marchmay.co.uk Website: www.marchmay.co.uk

PW-F RANGE



MAGNETICALLY DRIVEN, SINGLE-STAGE CENTRIFUGAL

DIMENSIONS



MODEL	W	H	L	a	b	c	d	e	f	g	h*	i
NH-350PW	157	247.5	465.5	130	76	130	115	225.5	82	115	146	12
NH-351PW	160	247.5	462.5	130	76	130	115	229.5	82	164	152	12
NH-353PW	160	242	505.5	130	57	132	120	222.5	78	155	149	12
NH-353PW	160	242	505.5	130	57	132	120	222.5	78	155	149	12
NH-400PW	140	216	473	110	51	98	95	233	87	150	151	12
NH-401PW	160	254	488	130	57.5	130	115	256	102.5	184	160	12
NH-402PW	260	255	620	208	65	200	115	305	89	158	176	14
NH-403PW	260	255	620	208	65	200	115	305	89	158	176	14
NH-405PW	260	270	689	208	65	200	130	326	89	158	208	14
NH-505PW(L)	260	319	650.5	220	60	300	162	287.5	89.5	123.2	208	14
NH-507PW	260	319	676.5	220	60	300	162	311.5	89.5	123.2	252	14
NH-655PW	260	360	723	210	85	270	175	360	118	240	208	14
NH-657PW	260	360	745	210	85	270	175	380	118	240	252	14
NH-6510PW	260	360	745	210	85	270	175	380	118	240	252	14
NH-6515PW	350	385	918.5	300	85	270	200	408.5	118	240	285	14

NOTE: * STANDARD DIMENSIONS WITH IEC 3-PHASE MOTOR



March May Ltd, Howard Road, Eaton Socon, St. Neots, Cambridgeshire, PE19 8NZ, UK

Tel: +44 (0) 1480 214444 Fax: +44 (0) 1480 405336 E-mail: sales@marchmay.co.uk Website: www.marchmay.co.uk

PW-F RANGE

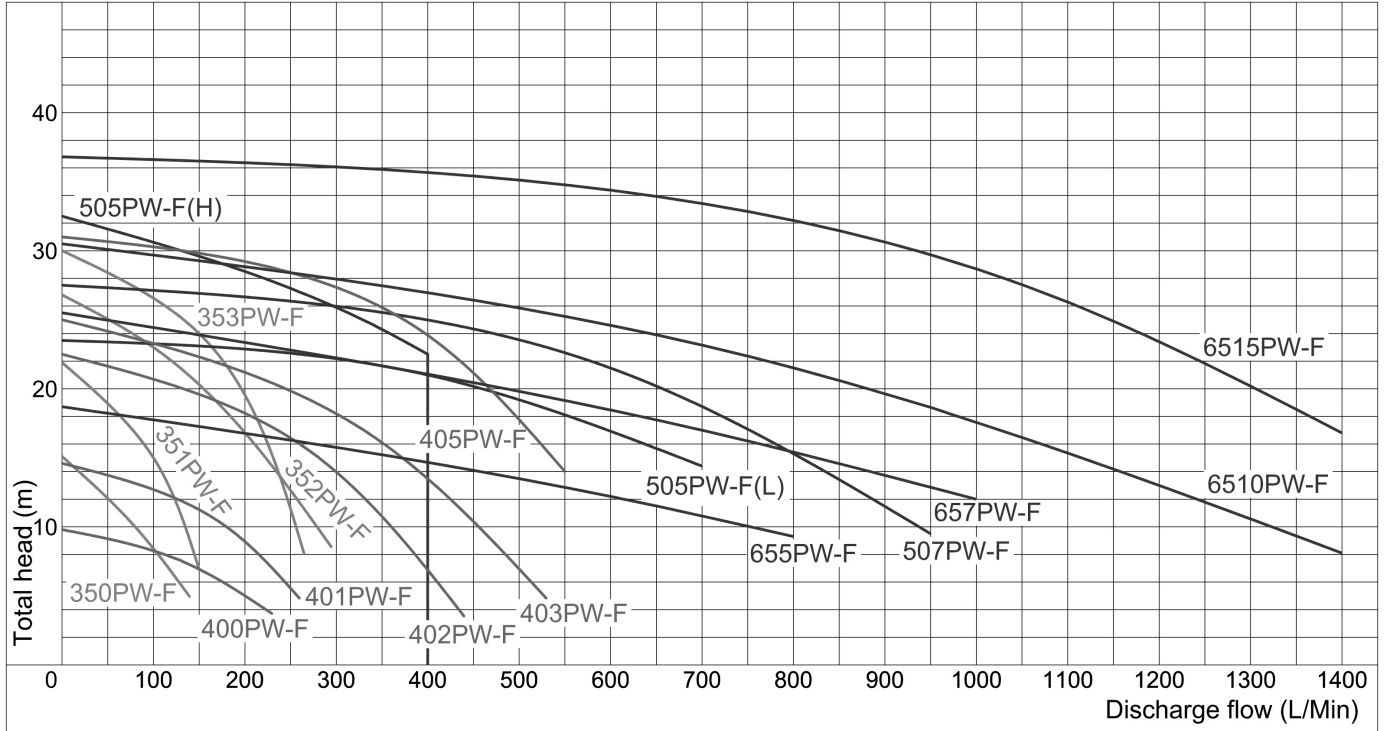


MAGNETICALLY DRIVEN, SINGLE-STAGE CENTRIFUGAL

PERFORMANCE

PW-F Family Curve 50Hz

Nominal speed : 2,860 r.p.m



NOTE: 50HZ, BASED ON WATER. IMPELLERS TRIMMED TO SG1.2. PLEASE ASK FOR ADAPTED CURVES FOR OTHER SG VALUES AND REFER TO INDIVIDUAL DATASHEETS FOR 60HZ PERFORMANCE



March May Ltd, Howard Road, Eaton Socon, St. Neots, Cambridgeshire, PE19 8NZ, UK

Tel: +44 (0) 1480 214444 Fax: +44 (0) 1480 405336 E-mail: sales@marchmay.co.uk Website: www.marchmay.co.uk