

PX, PX-F, PX-N RANGE



MAGNETICALLY DRIVEN, SINGLE-STAGE CENTRIFUGAL



- ☑ Small capacity pump
- ☑ Available with hose or threaded connections
- ☑ Used in a wide variety of applications
- ☑ Available in PP, PVDF (PX-N), & ETFE (PX-F)

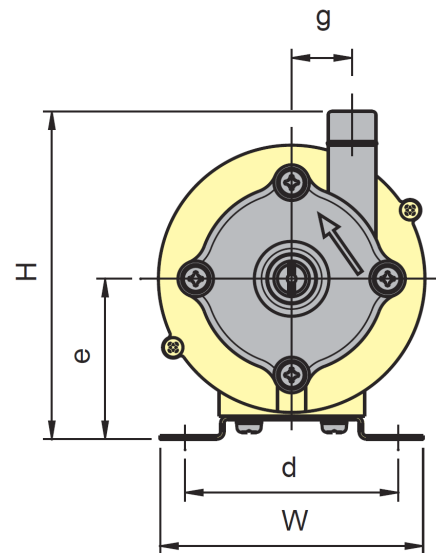
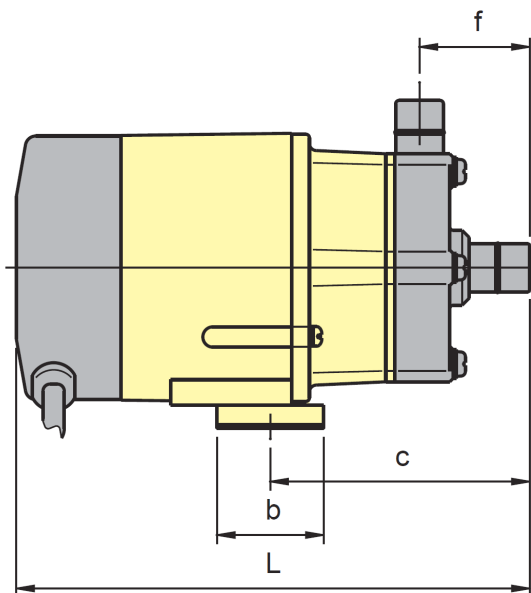
MODEL IDENTIFICATION

NH - 30PX - N - H

(1) (2) (3)

POS	DESCRIPTION	CODE
1	MODEL	5PX, 10PX, 30PX ETC.
2	MATERIAL	BLANK = PPG, N = PVDF, F = ETFE
3	CONNECTION	H = HOSE, T = THREADED

DIMENSIONS



MODEL	W	H	L	b	c	d	e	f	g
NH-5PX-Z / NH-10PX	73.7	91.4	144.8	30.5	73.7	61.0	45.7	30.5	17.8



March May Ltd, Howard Road, Eaton Socon, St. Neots, Cambridgeshire, PE19 8NZ, UK

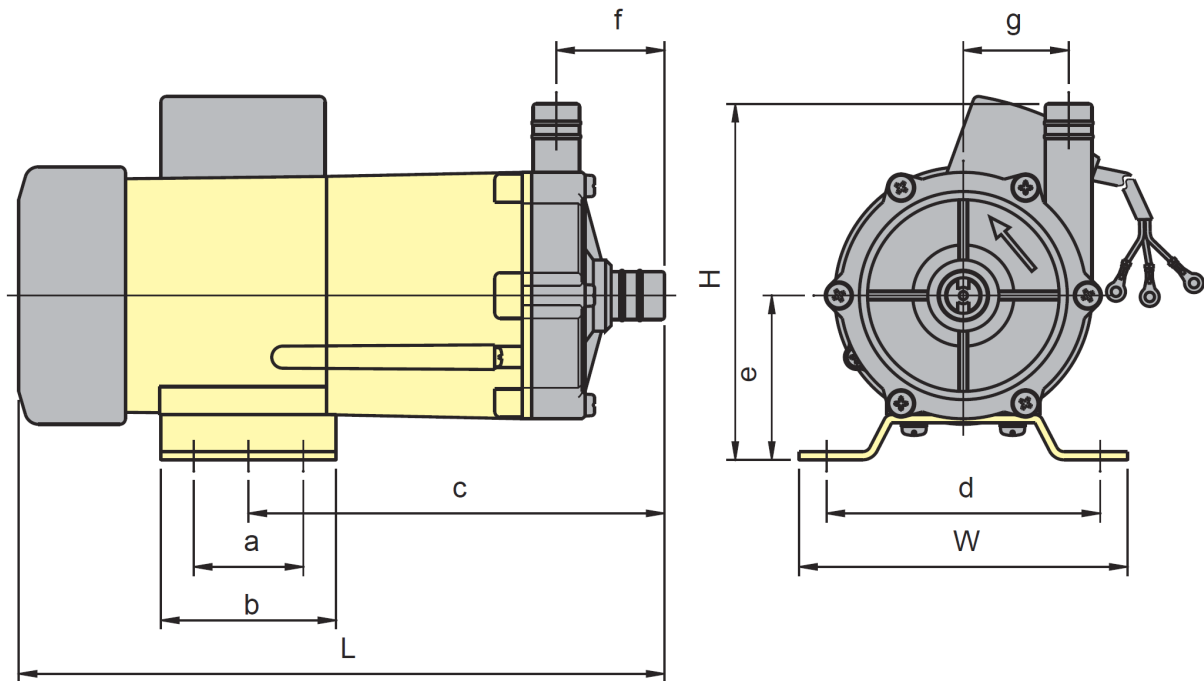
Tel: +44 (0) 1480 214444 Fax: +44 (0) 1480 405336 E-mail: sales@marchmay.co.uk Website: www.marchmay.co.uk

PX RANGE



MAGNETICALLY DRIVEN, SINGLE-STAGE CENTRIFUGAL

DIMENSIONS



MODEL	W	H	L	a	b	c	d	e	f	g
NH-30PX	94	114.3	198.1	30.5	50.8	116.8	83.8	55.9	38.1	20.3
NH-40PX	94	114.3	210.8	30.5	50.8	132.1	83.8	55.9	38.1	27.9
NH-50PX-Z	94	124.5	226.1	30.5	50.8	134.6	83.8	55.9	40.6	38.1
NH-50PX	119.4	129.5	246.4	40.6	63.5	170.2	99.1	61.0	48.3	30.5
NH-50PX-X	119.4	134.6	254.0	40.6	63.5	175.3	99.1	61.0	50.8	25.4
NH-100PX-Z	119.4	129.5	236.2	40.6	63.5	152.4	99.1	61.0	40.6	38.1
NH-100PX	119.4	129.5	261.6	40.6	63.5	170.2	99.1	61.0	48.3	30.5
NH-100PX-X	119.4	134.6	269.2	40.6	63.5	175.3	99.1	61.0	50.8	25.4
NH-100PX-ZZ	119.4	129.5	243.8	40.6	63.5	160.0	99.1	61.0	38.1	45.7



March May Ltd, Howard Road, Eaton Socon, St. Neots, Cambridgeshire, PE19 8NZ, UK

Tel: +44 (0) 1480 214444 Fax: +44 (0) 1480 405336 E-mail: sales@marchmay.co.uk Website: www.marchmay.co.uk

PX RANGE

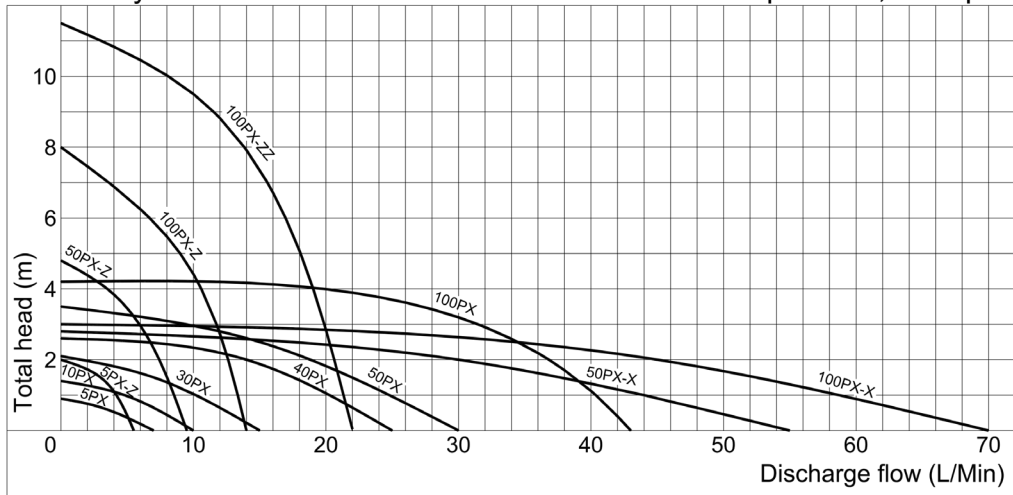
MAGNETICALLY DRIVEN, SINGLE-STAGE CENTRIFUGAL



PERFORMANCE

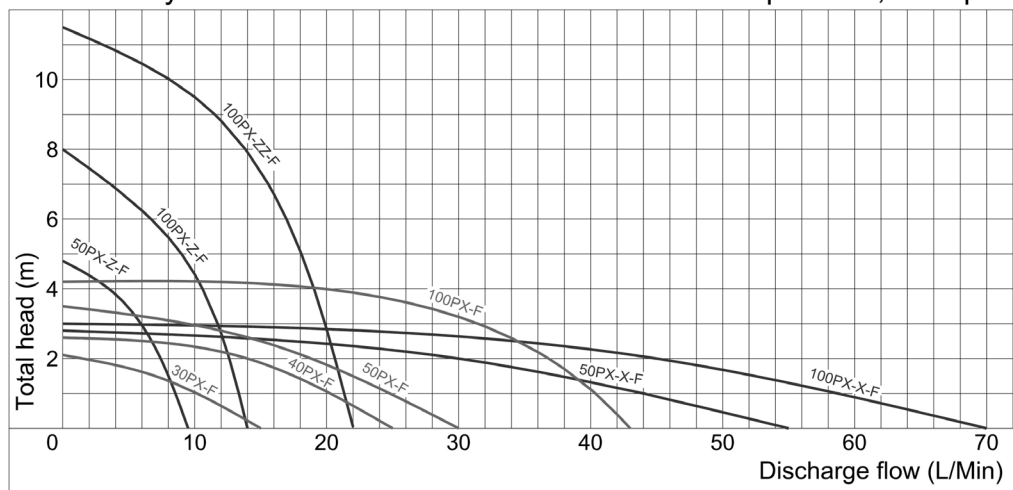
PX Family Curve 50Hz

Nominal speed : 2,860 r.p.m



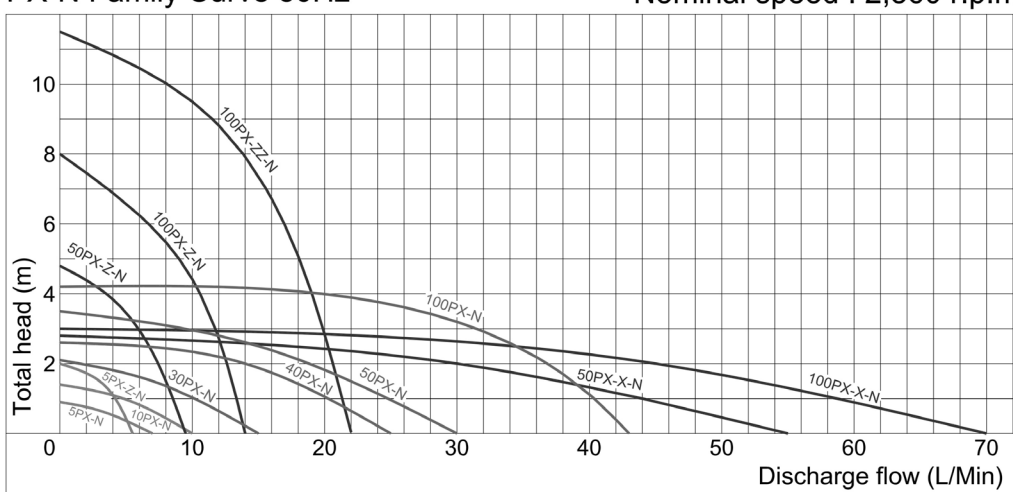
PX-F Family Curve 50Hz

Nominal speed : 2,860 r.p.m



PX-N Family Curve 50Hz

Nominal speed : 2,860 r.p.m



NOTE: 50HZ, BASED ON WATER. PLEASE ASK FOR ADAPTED CURVES FOR OTHER SG VALUES AND REFER TO INDIVIDUAL DATASHEETS FOR 60HZ PERFORMANCE



March May Ltd, Howard Road, Eaton Socon, St. Neots, Cambridgeshire, PE19 8NZ, UK

Tel: +44 (0) 1480 214444 Fax: +44 (0) 1480 405336 E-mail: sales@marchmay.co.uk Website: www.marchmay.co.uk