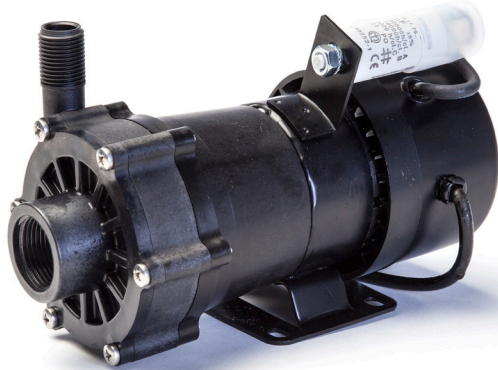


SS-7R

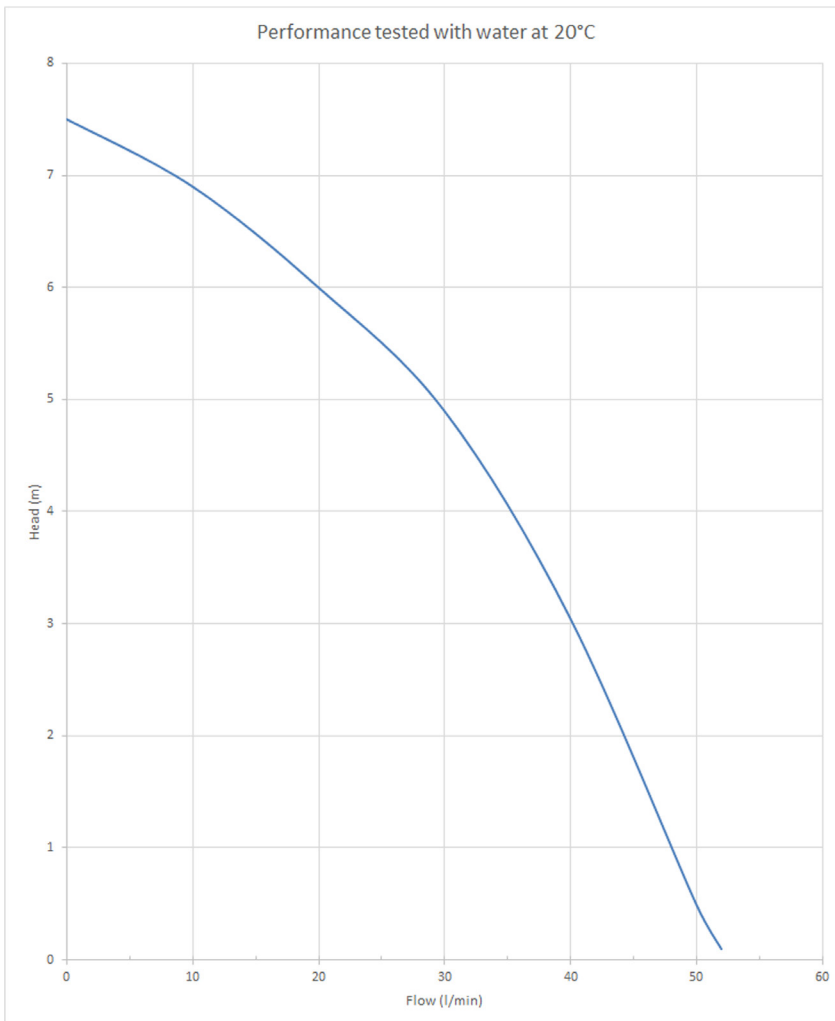
MAGNETIC DRIVE, SINGLE-STAGE CENTRIFUGAL



- ☑ Single-stage centrifugal
- ☑ Up to 52l/min flow
- ☑ Up to 7.5m head
- ☑ Suitable for non-corrosive solutions
- ☑ Available with single phase motor
- ☑ Available with DC Motors on request
- ☑ Extensively used for chemical transfer, refrigeration, machine cooling and many more.

PERFORMANCE

SPECIFICATION



FEATURES

Temp:	Max 88°C
Pressure:	3 Bar (System)
Inlet:	1" BSP. F
Outlet:	1/2" BSP.M

WETTED MATERIALS

Pump Housing:	Ryton
O Ring:	Nitrile
Impeller:	Ryton
Shaft:	Stainless Steel
Impeller Magnet:	Ferrite
Front Cover:	Ryton



March May Ltd, Howard Road, Eaton Socon, St. Neots, Cambridgeshire, PE19 8NZ, UK

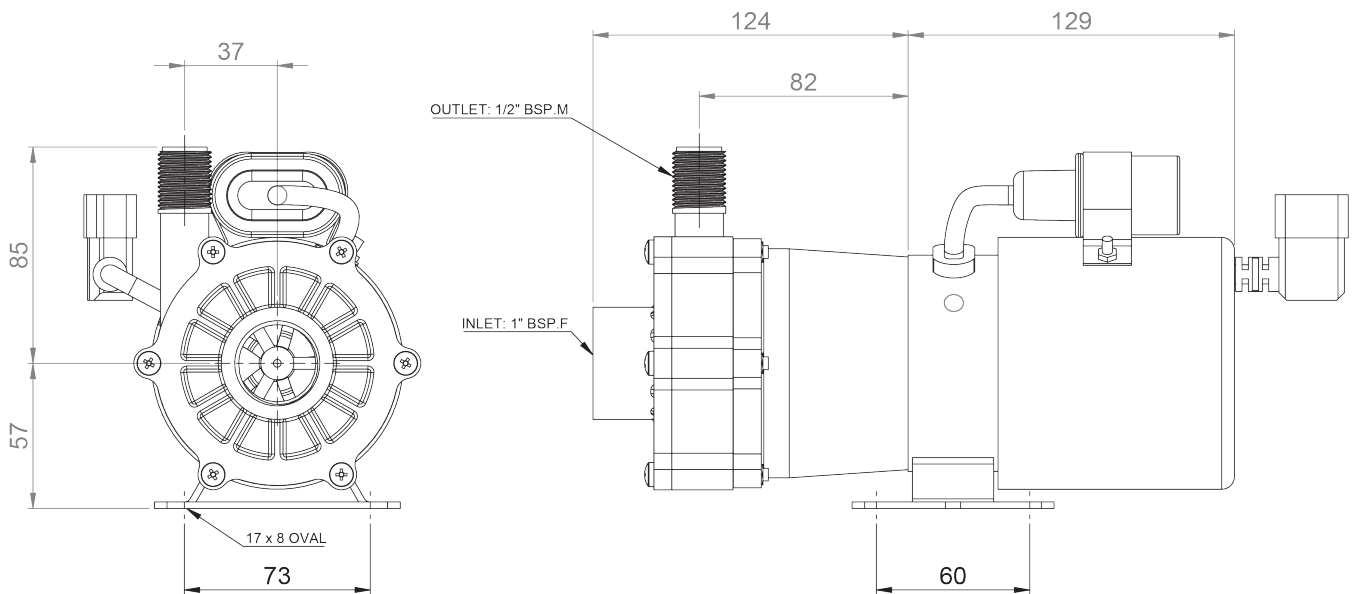
Tel: +44 (0) 1480 214444 Fax: +44 (0) 1480 405336 E-mail: sales@marchmay.co.uk Website: www.marchmay.co.uk

SS-7R

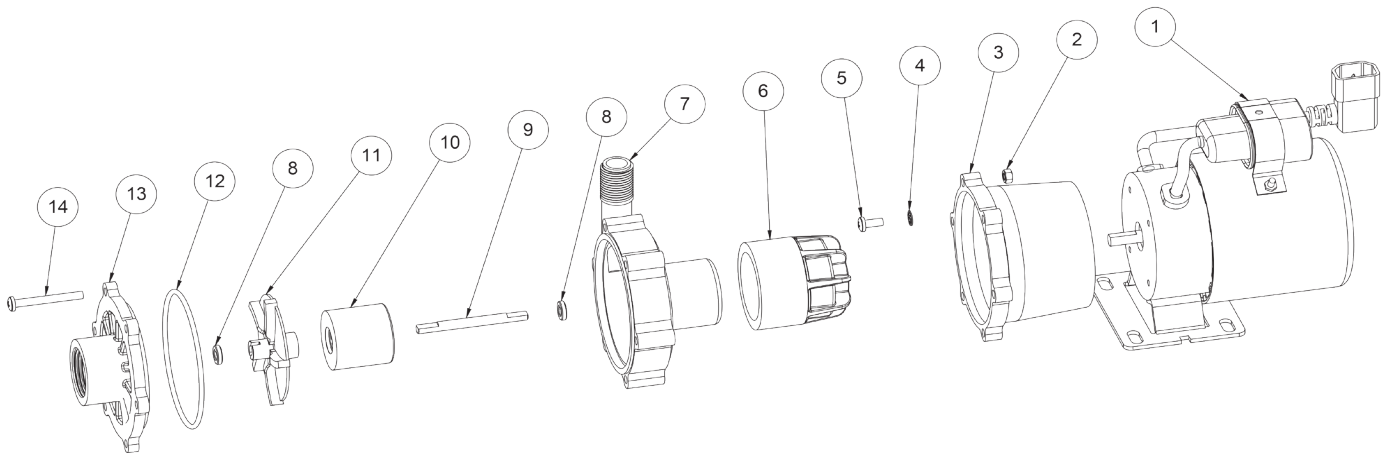
MAGNETIC DRIVE, SINGLE-STAGE CENTRIFUGAL



DIMENSIONS



PARTS



REF	DESCRIPTION	CODE	REF	DESCRIPTION	MATERIAL
1	Motor	UE96-915-00C	8	Thrust Washer	0130-028-UK
2	Nut	5021-180-50	9	Shaft	5028-231-51
3	Motor Bracket	5020-170-01	10	Impeller Magnet	5021-191-08
4	Shakeproof Washer	0135-200-UK	11	Impeller	5028-132-09
5	Screw	5021-2212-50	12	O Ring	5020-122-30
6	Drive Magnet	5021-202-60	13	Front Cover	5028-110-09
7	Pump Housing	5028-141-09	14	Screw	5090-5451-50



March May Ltd, Howard Road, Eaton Socon, St. Neots, Cambridgeshire, PE19 8NZ, UK

Tel: +44 (0) 1480 214444 Fax: +44 (0) 1480 405336 E-mail: sales@marchmay.co.uk Website: www.marchmay.co.uk