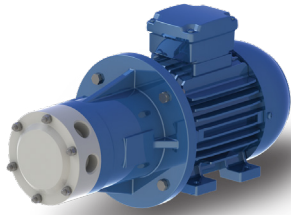


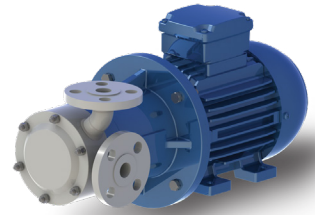
# STM 1.5X6 (2 POLE)



## MAGNETICALLY DRIVEN, SINGLE-STAGE REGENERATIVE TURBINE



- ☑ Stainless Steel Regenerative Turbine Pump
  - ☑ Up to 1.8m<sup>3</sup>/h (30l/min) flow
  - ☑ Up to 34m head
- ☑ Available with threaded or flanged connections
  - ☑ Stainless Steel Construction
- ☑ On request in Incoloy 825 and Hastelloy C



### SPECIFICATION

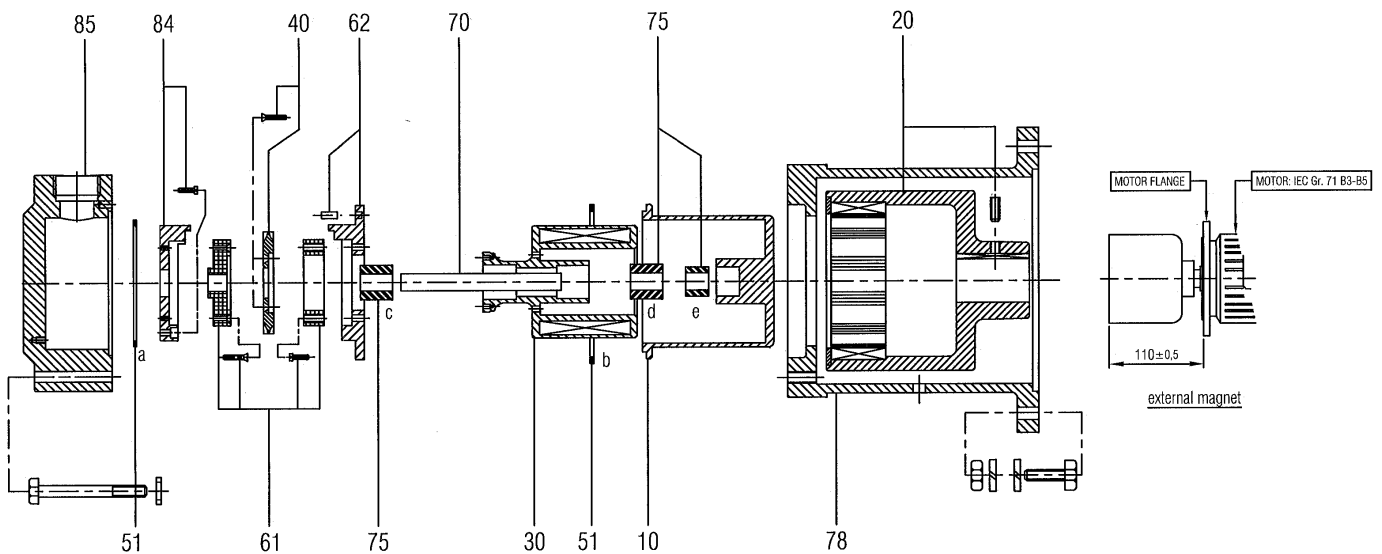
#### FEATURES

Temp:	Max 300°C
Pressure:	16 Bar (System)
Connections:	PN16 Flange BSP Threaded NPT Threaded

#### WETTED MATERIALS

Front Cover:	316 SS
O Ring:	Viton
Impeller:	316 SS
Shaft / Thrust Brg:	SSiC
Bearings:	PTFEC
Rear Housing:	316 SS

### SPARES



REF	DESCRIPTION	MATERIAL	REF	DESCRIPTION	MATERIAL
10	Rear Casing (INCL. 75E)	316 SS	62	Rear Ring (INCL. PINS)	316 SS
20	Ext. Magnet	Neodym. / Steel	70	Shaft (INCL. 75E)	316 SS
30	Int. Magnet (INCL. 75C + 75D)	316 SS / CoSm	75	Sleeve Bearings	PTFEC
40	Impeller (INCL. SCREWS)	316 SS	78	Bracket (160-110-14)	Cast Iron
51	O Ring	Viton	84	Front Ring (INCL. SCREWS)	316 SS
61	Thrust Bearings (INCL. PINS)	PTFEC			



March May Ltd, Howard Road, Eaton Socon, St. Neots, Cambridgeshire, PE19 8NZ, UK

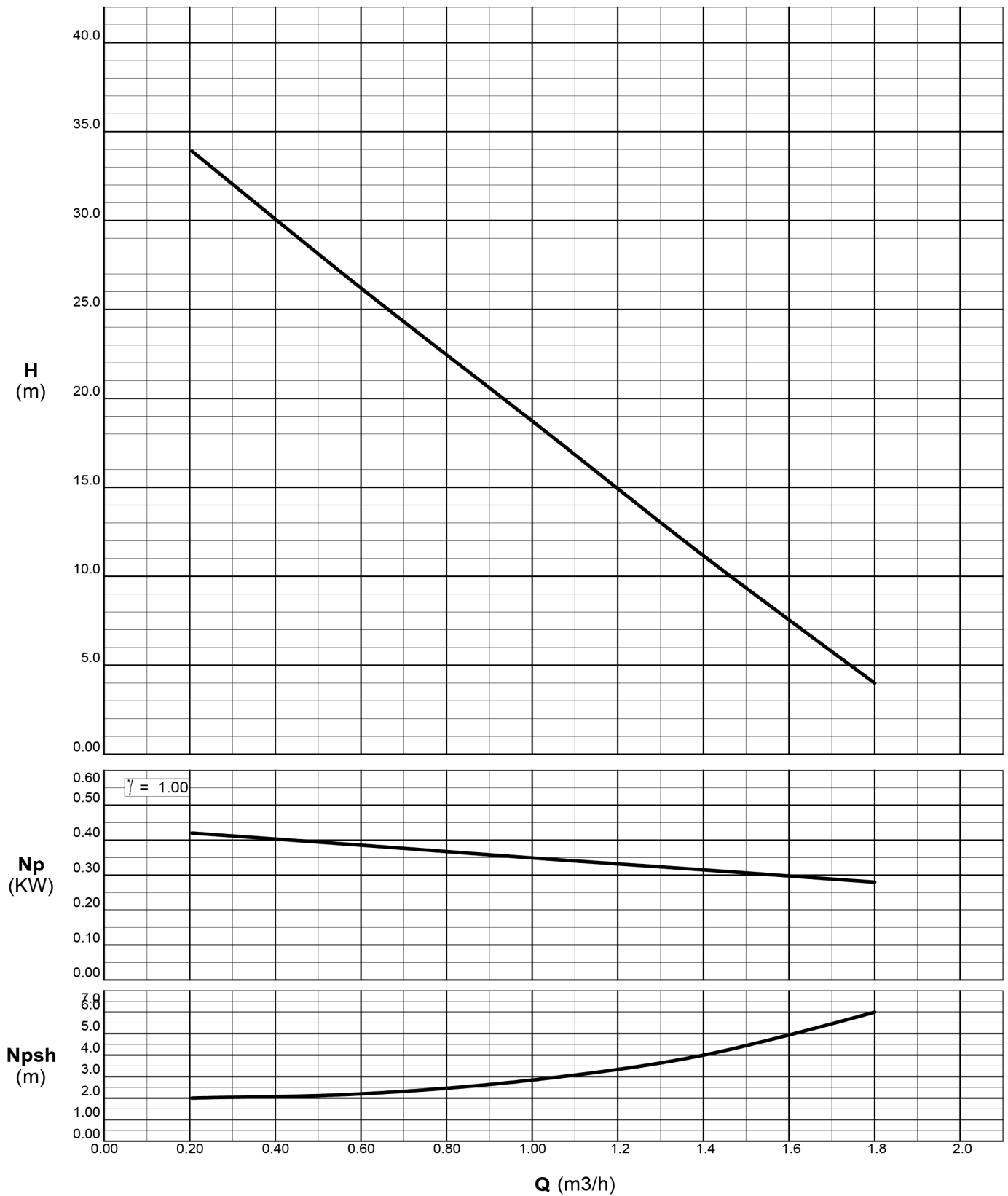
Tel: +44 (0) 1480 214444 Fax: +44 (0) 1480 405336 E-mail: sales@marchmay.co.uk Website: www.marchmay.co.uk

# STM 1.5X6 (2 POLE)



MAGNETICALLY DRIVEN, SINGLE-STAGE REGENERATIVE TURBINE

## PERFORMANCE



March May Ltd, Howard Road, Eaton Socon, St. Neots, Cambridgeshire, PE19 8NZ, UK

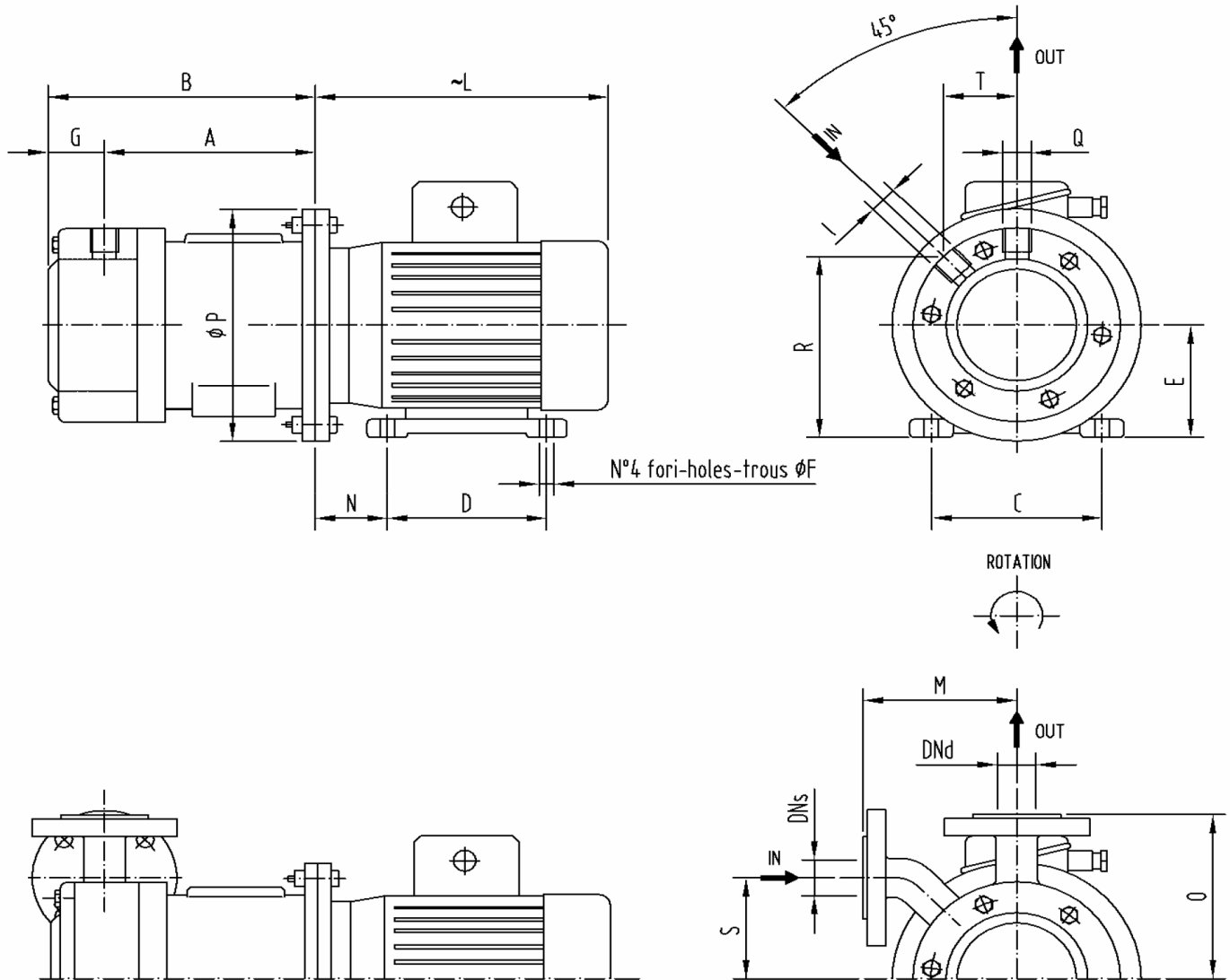
Tel: +44 (0) 1480 214444 Fax: +44 (0) 1480 405336 E-mail: sales@marchmay.co.uk Website: www.marchmay.co.uk

# STM 1.5X6 (2 POLE)



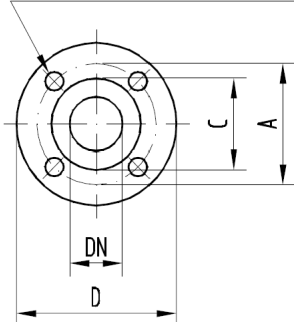
MAGNETICALLY DRIVEN, SINGLE-STAGE REGENERATIVE TURBINE

## DIMENSIONS



MODEL	DN <sub>s</sub> / I		DN <sub>d</sub> / Q		A	B	C	D	E	F	G	L	M	N	O	P	R	S	T
	mm	Gas	mm	Gas															
1.5x6	15	1/2"	15	1/2"	151	184	112	90	71	7	33	210	88	45	88	160	109	54	38
2x7	20	3/4"	20	3/4"	155	190	125	100	80	9	35	230	98	50	100	200	124	61	44

N° F fori-holes-trous ØG



DN	UNI PN 16				
	D	C	A	F	G
15	95	45	65	4	14
20	105	58	75	4	14

Ø	ANSI 150 RF				
	D	C	A	F	G
1/2"	88.9	34.9	60.3	4	15.9
3/4"	98.4	42.9	69.8	4	15.9



March May Ltd, Howard Road, Eaton Socon, St. Neots, Cambridgeshire, PE19 8NZ, UK

Tel: +44 (0) 1480 214444 Fax: +44 (0) 1480 405336 E-mail: sales@marchmay.co.uk Website: www.marchmay.co.uk