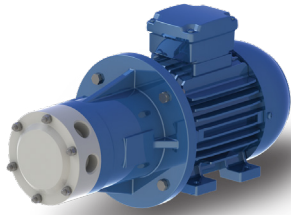


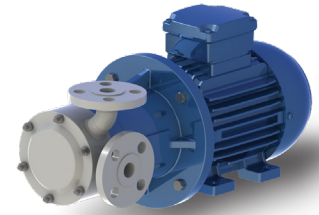
STM 2.5X8 (2 POLE)



MAGNETICALLY DRIVEN, SINGLE-STAGE REGENERATIVE TURBINE



- ☑ Stainless Steel Regenerative Turbine Pump
 - ☑ Up to 4.6m³/h (76.7l/min) flow
 - ☑ Up to 62m head
- ☑ Available with threaded or flanged connections
 - ☑ Stainless Steel Construction
- ☑ On request in Incoloy 825 and Hastelloy C



SPECIFICATION

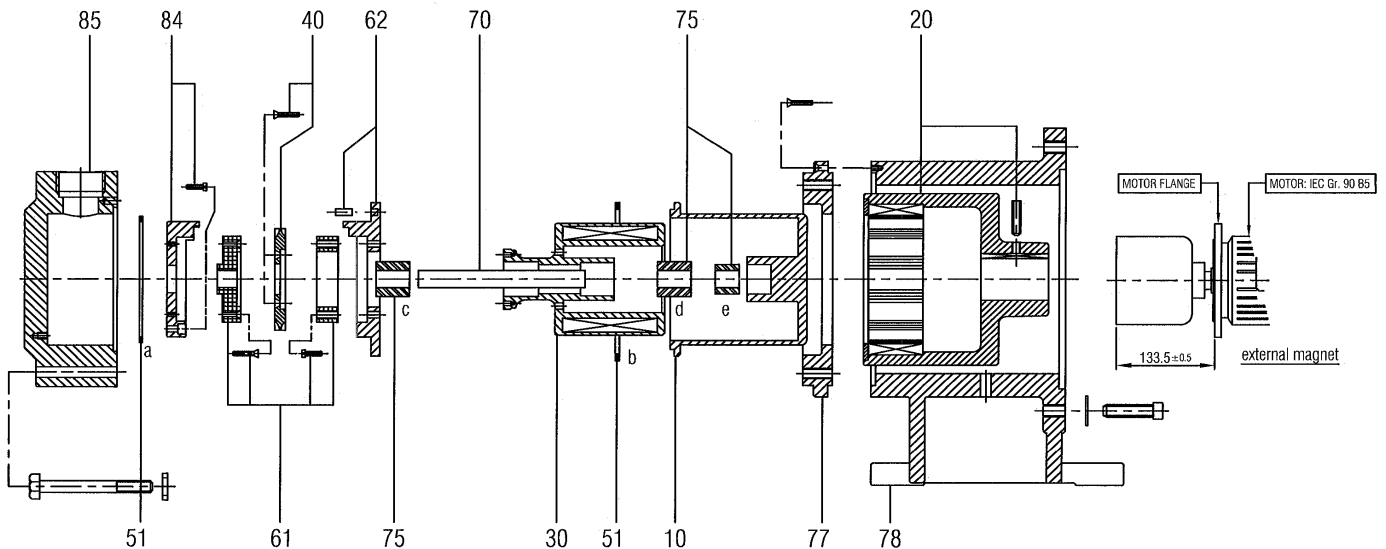
FEATURES

Temp:	Max 300°C
Pressure:	16 Bar (System)
Connections:	PN16 Flange BSP Threaded NPT Threaded

WETTED MATERIALS

Front Cover:	316 SS
O Ring:	Viton
Impeller:	316 SS
Shaft / Thrust Brg:	SSiC
Bearings:	PTFEC
Rear Housing:	316 SS

SPARES



REF	DESCRIPTION	MATERIAL	REF	DESCRIPTION	MATERIAL
10	Rear Casing (INCL. 75E)	316 SS	62	Rear Ring (INCL. PINS)	316 SS
20	Ext. Magnet	Neodym. / Steel	70	Shaft (INCL. 75E)	316 SS
30	Int. Magnet (INCL. 75C + 75D)	316 SS / CoSm	75	Sleeve Bearings	PTFEC
40	Impeller (INCL. SCREWS)	316 SS	77	Adaptor Flange	316 SS
51	O Ring	Viton	78	Bracket (160-110-14)	Cast Iron
61	Thrust Bearings (INCL. PINS)	PTFEC	84	Front Ring (INCL. SCREWS)	316 SS



March May Ltd, Howard Road, Eaton Socon, St. Neots, Cambridgeshire, PE19 8NZ, UK

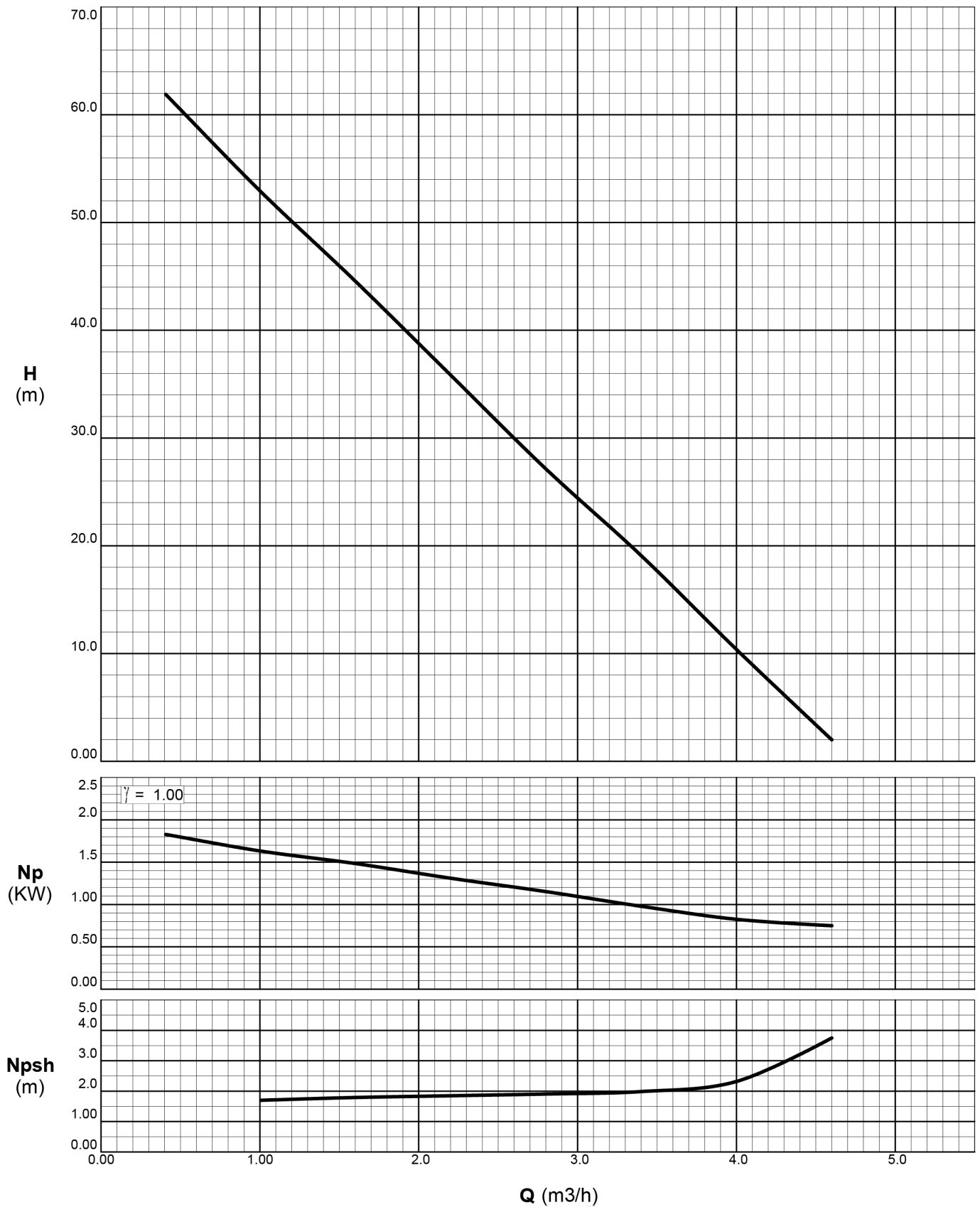
Tel: +44 (0) 1480 214444 Fax: +44 (0) 1480 405336 E-mail: sales@marchmay.co.uk Website: www.marchmay.co.uk

STM 2.5X8 (2 POLE)



MAGNETICALLY DRIVEN, SINGLE-STAGE REGENERATIVE TURBINE

PERFORMANCE



March May Ltd, Howard Road, Eaton Socon, St. Neots, Cambridgeshire, PE19 8NZ, UK

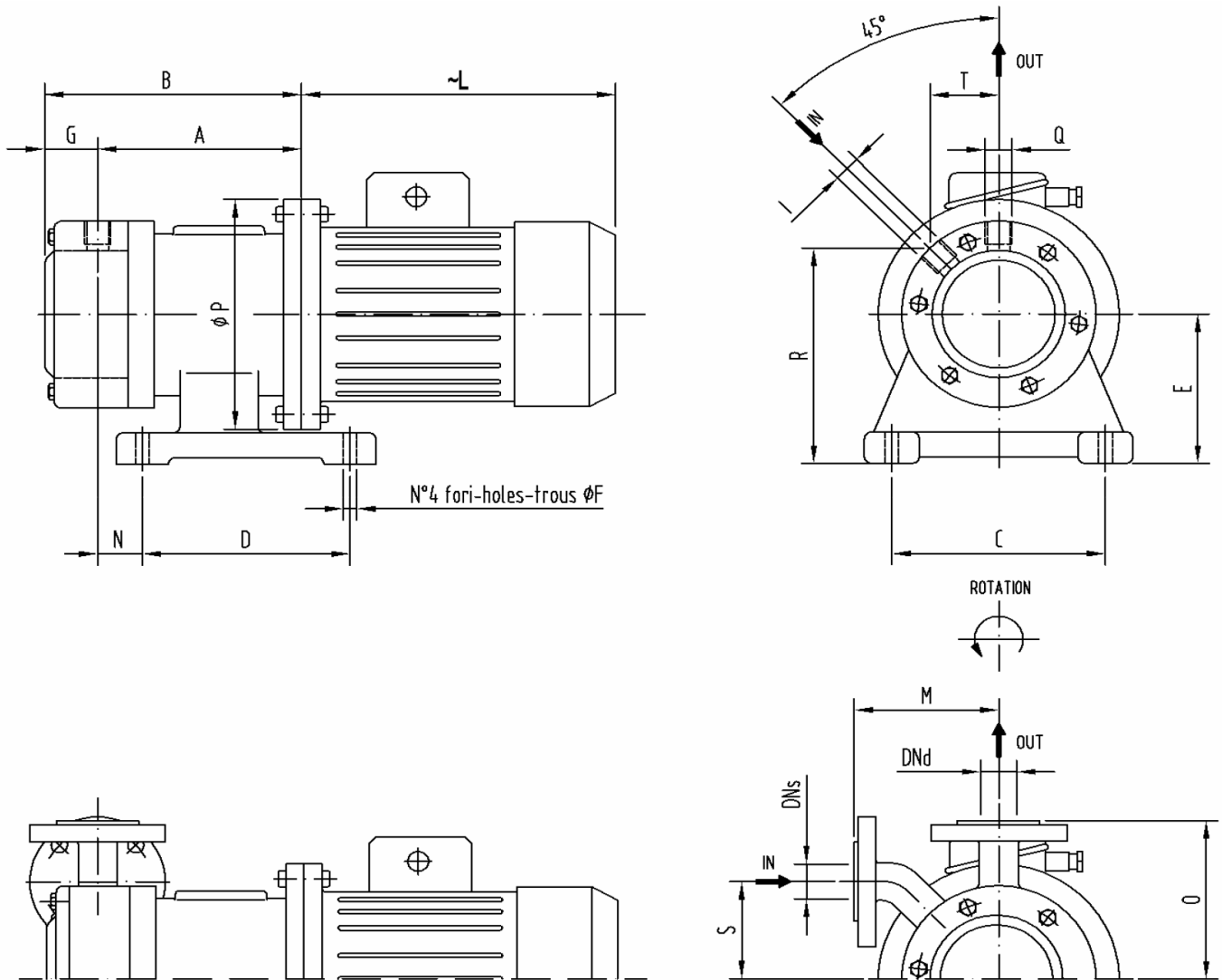
Tel: +44 (0) 1480 214444 Fax: +44 (0) 1480 405336 E-mail: sales@marchmay.co.uk Website: www.marchmay.co.uk

STM 2.5X8 (2 POLE)



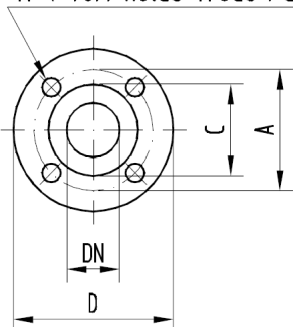
MAGNETICALLY DRIVEN, SINGLE-STAGE REGENERATIVE TURBINE

DIMENSIONS



MODEL	DNs / I		DNd / Q		A	B	C	D	E	F	G	L	M	N	O	P	R	S	T
	mm	Gas	mm	Gas															
2.5x8	25	1"	25	1"	186	223	155	193	136	12	37	270	111	69	121	200	185	66	49
2.5x8.5	25	1"	25	1"	215	256	220	250	175	14	41	340	133	56	133	250	230	86	55
2.5x9	25	1"	25	1"	215	256	220	250	175	14	41	340	133	56	133	250	230	86	55

N° F fori-oles-trous ϕG



DN	UNI PN 16				
	D	C	A	F	G
25	115	68	85	4	14

Ø	ANSI 150 RF				
	D	C	A	F	G
1"	107.9	50.8	79.4	4	15.9



March May Ltd, Howard Road, Eaton Socon, St. Neots, Cambridgeshire, PE19 8NZ, UK

Tel: +44 (0) 1480 214444 Fax: +44 (0) 1480 405336 E-mail: sales@marchmay.co.uk Website: www.marchmay.co.uk