

TE-10K-MD



MAGNETICALLY DRIVEN, SINGLE-STAGE CENTRIFUGAL



PLEASE NOTE THAT PUMP MAY DIFFER FROM PRODUCT SHOWN

- ☑ Seal-less Magnetic drive pump
- ☑ Up to 654l/min flow
- ☑ Up to 34.1m head
- ☑ Available in single and three phase supply
- ☑ Available with Flanges
- ☑ Encapsulated Magnet for increased chemical compatibility
- ☑ Extensively used in chemical recirculation, chemical transfer, deionised water systems, scrubber systems, detergent mixers, computer cooling, waste treatment plants, and plating operations

PERFORMANCE

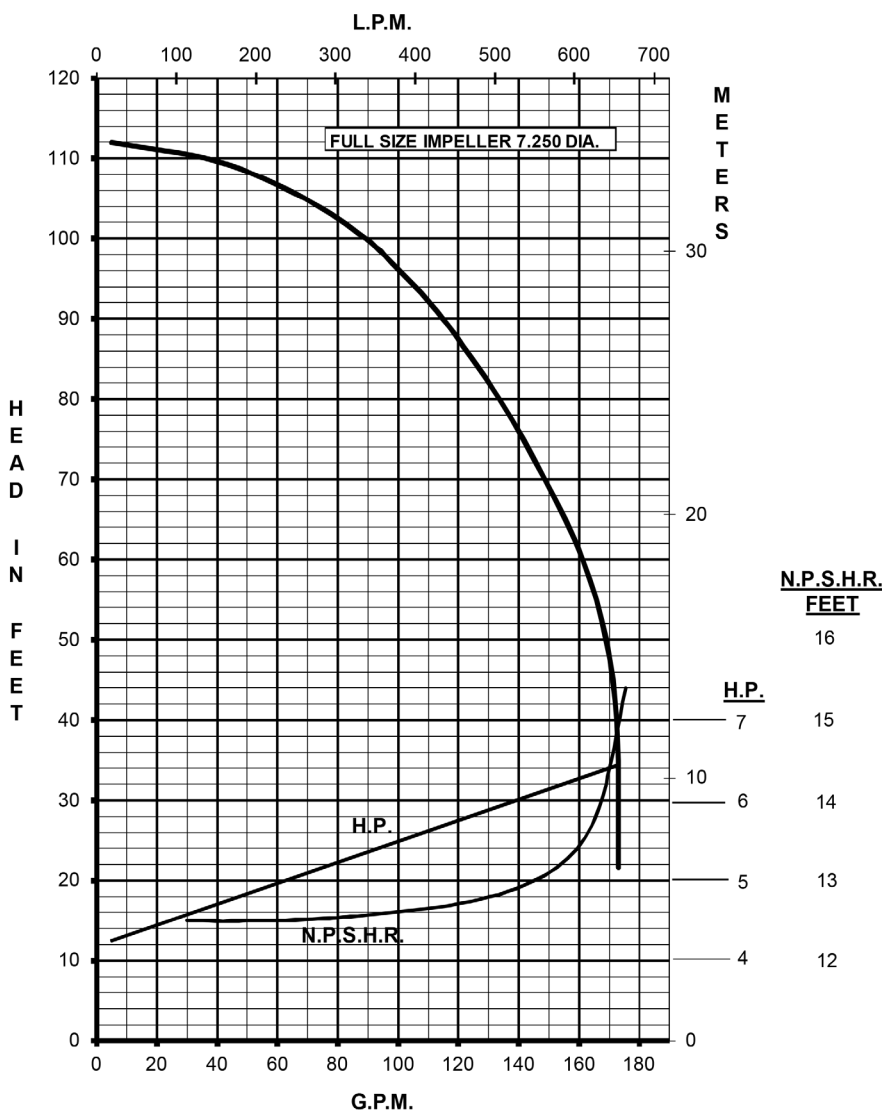
SPECIFICATION

FEATURES

| | |
|-----------|------------------|
| Temp: | Max 87°C |
| Pressure: | 5.1 Bar (System) |
| Inlet: | 3" MPT |
| Outlet: | 2" MPT |

WETTED MATERIALS

| | |
|------------------|------------|
| Front Cover: | PVDF Kynar |
| O Ring: | Viton |
| Shaft: | Ceramic |
| Thrust Washer: | Ceramic |
| Impeller/Magnet: | PVDF Kynar |
| Rear Housing: | PVDF Kynar |



March May Ltd, Howard Road, Eaton Socon, St. Neots, Cambridgeshire, PE19 8NZ, UK

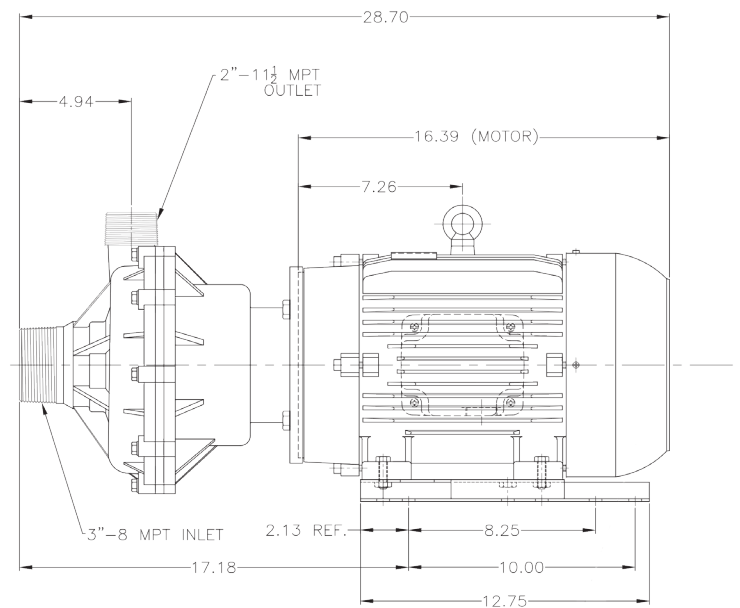
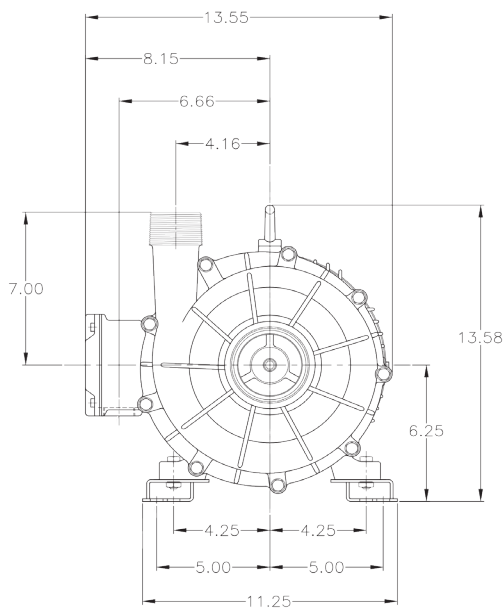
Tel: +44 (0) 1480 214444 Fax: +44 (0) 1480 405336 E-mail: sales@marchmay.co.uk Website: www.marchmay.co.uk

TE-10K-MD



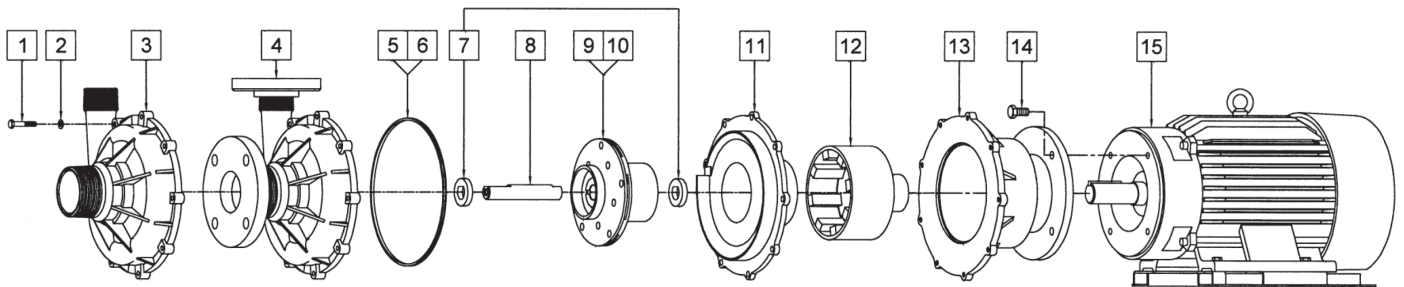
MAGNETICALLY DRIVEN, SINGLE-STAGE CENTRIFUGAL

DIMENSIONS



ALL DIMENSIONS GIVEN ARE IN INCHES

PARTS LIST



| REF | DESCRIPTION | CODE | REF | DESCRIPTION | CODE |
|-----|-----------------------|---------------------|-----|---------------------------|---------------------|
| 1 | Screw | 0160-029-10 | 9 | Impeller (Carbon Bushing) | 0161-005-04 |
| 2 | Washer | 0160-030-10 | 10 | Impeller (Teflon Bushing) | 0161-005-06 |
| 3 | Front Cover | 0161-008-10 | 11 | Rear Housing | 0161-009-10 |
| 4 | Front Cover (Flanged) | 0161-033-01 | 12 | Drive Magnet | 0161-031-01 |
| 5 | O Ring | 0161-0043-10 | 13 | Motor Bracket | 0161-007-00 |
| 6 | O Ring - Option | Contact For Details | 14 | Screw | 0160-031-10 |
| 7 | Thrust Washer | 0161-001-10 | 15 | Motor | Contact For Details |
| 8 | Shaft | 0161-002-10 | | | |



March May Ltd, Howard Road, Eaton Socon, St. Neots, Cambridgeshire, PE19 8NZ, UK

Tel: +44 (0) 1480 214444 Fax: +44 (0) 1480 405336 E-mail: sales@marchmay.co.uk Website: www.marchmay.co.uk