

TE-5R-MD



MAGNETICALLY DRIVEN, SINGLE-STAGE CENTRIFUGAL



PLEASE NOTE THAT PUMP MAY DIFFER FROM PRODUCT SHOWN

- ☑ Seal-less Magnetic drive pump
- ☑ Up to 60.5l/min flow
- ☑ Up to 6.3m head
- ☑ Available in single and three phase supply
- ☑ Encapsulated Magnet for increased chemical compatibility
- ☑ Extensively used in chemical recirculation, marine air conditioning, chemical transfer, scrubber systems, and many more

PERFORMANCE

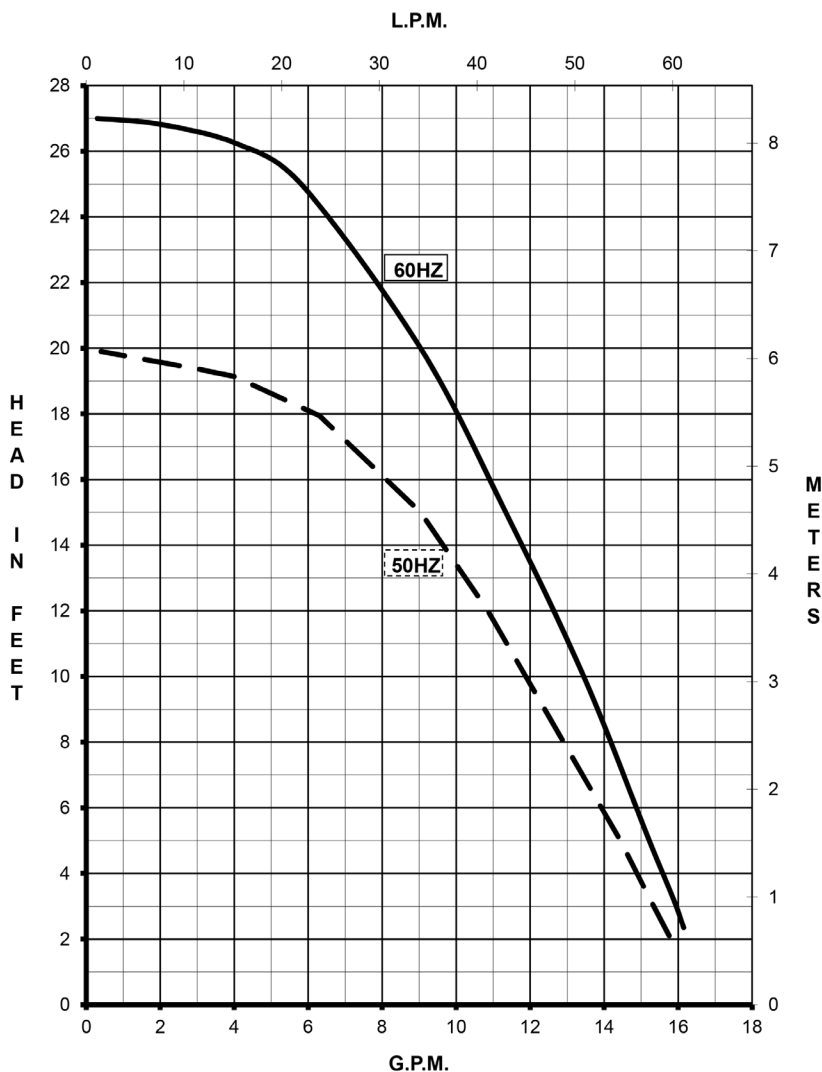
SPECIFICATION

FEATURES

Temp:	Max 120°C
Pressure:	3.4 Bar (System)
Inlet:	1" FPT
Outlet:	1/2" MPT

WETTED MATERIALS

Front Cover:	PPS Ryton
O Ring:	Viton
Shaft:	Ceramic
Thrust Washer:	Ceramic
Impeller/Magnet:	Ceramic Magnet
Rear Housing:	PPS Ryton



March May Ltd, Howard Road, Eaton Socon, St. Neots, Cambridgeshire, PE19 8NZ, UK

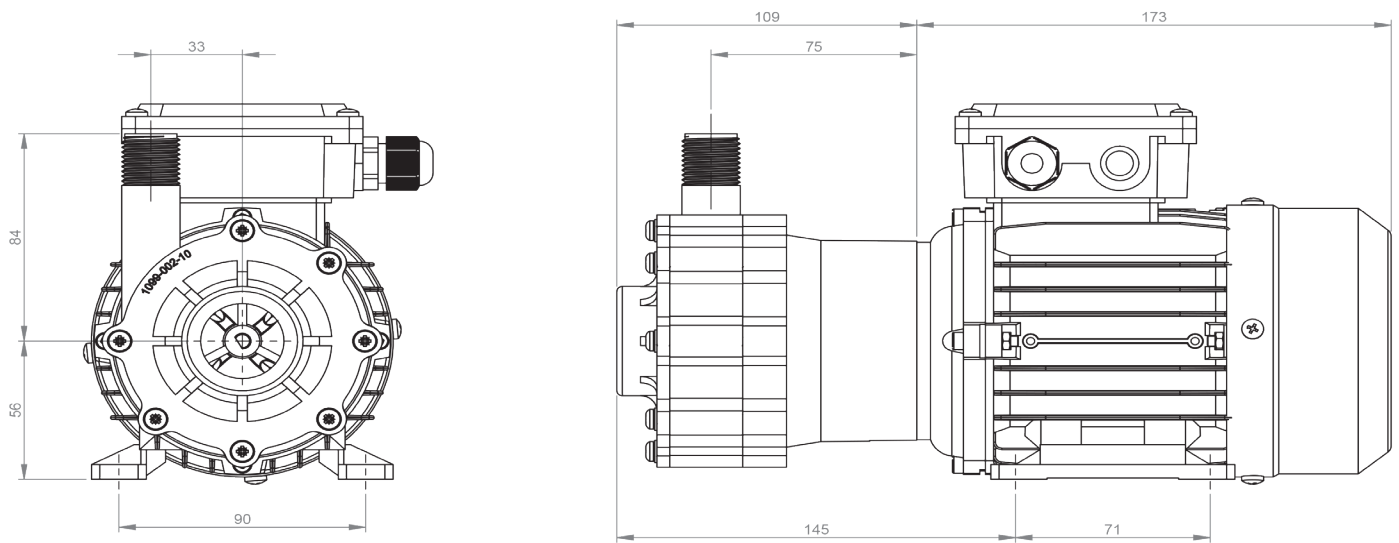
Tel: +44 (0) 1480 214444 Fax: +44 (0) 1480 405336 E-mail: sales@marchmay.co.uk Website: www.marchmay.co.uk

TE-5R-MD



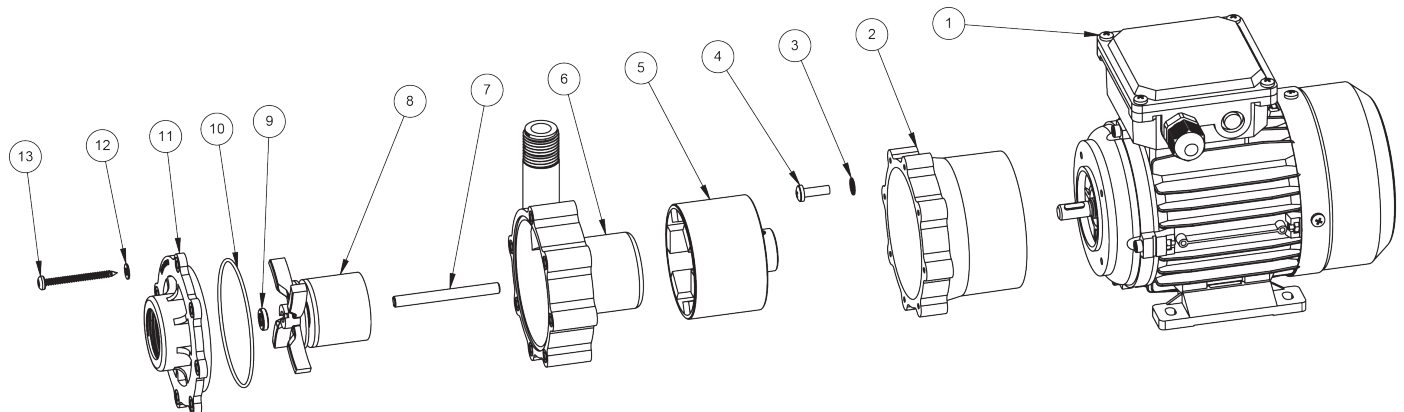
MAGNETICALLY DRIVEN, SINGLE-STAGE CENTRIFUGAL

DIMENSIONS



ALL DIMENSIONS GIVEN ARE IN MM

PARTS LIST



REF	DESCRIPTION	CODE	REF	DESCRIPTION	MATERIAL
1	Motor	TE96-141-00	8	Encapsulated Impeller	0150-053-02
2	Motor Bracket	0001-050-UK	9	Thrust Washer	0130-028-UK
3	Bracket Fixing Washers	0135-200-UK	10	O Ring	5020-125-31
4	Bracket Fixing Screws	0130-100-UK	11	Front Cover	0150-073-10
5	Drive Magnet	0145-027-UK	12	Housing Washer St/St	0150-200-UK
6	Pump Housing	0150-072-10	13	Housing Screw St/St	0150-100-UK
7	Spindle	0130-024-UK			



March May Ltd, Howard Road, Eaton Socon, St. Neots, Cambridgeshire, PE19 8NZ, UK

Tel: +44 (0) 1480 214444 Fax: +44 (0) 1480 405336 E-mail: sales@marchmay.co.uk Website: www.marchmay.co.uk