

# TE-6K-MD



MAGNETICALLY DRIVEN, SINGLE-STAGE CENTRIFUGAL

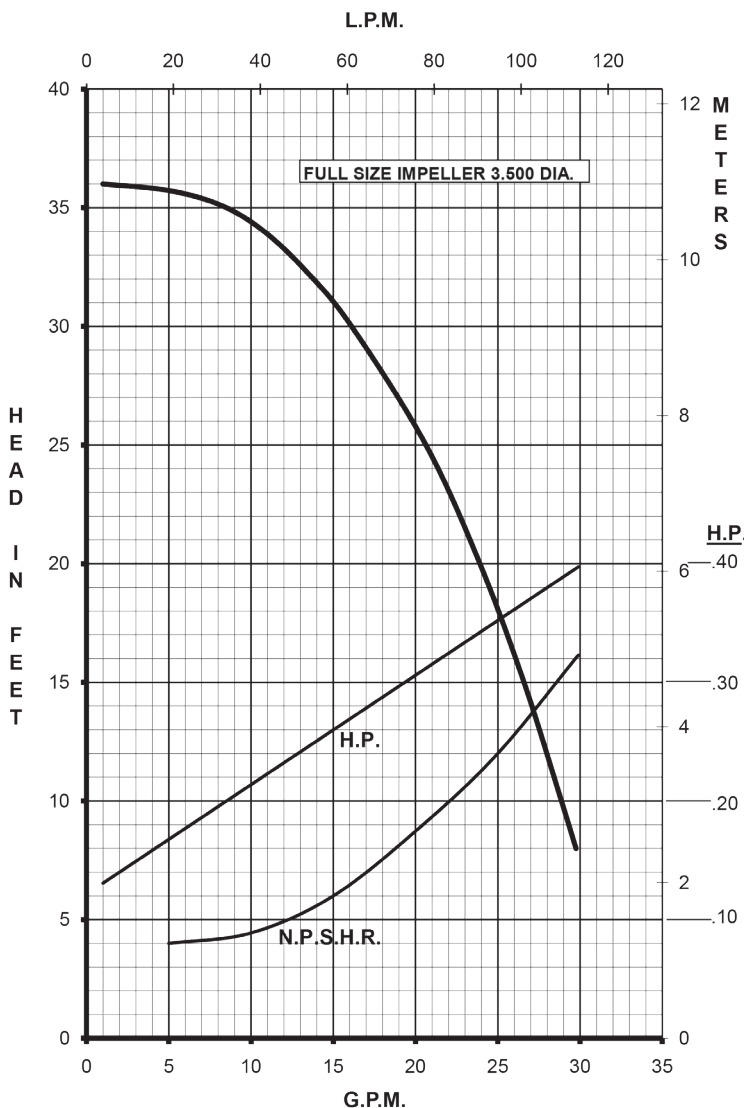


PLEASE NOTE THAT PUMP MAY DIFFER FROM PRODUCT SHOWN

- ☑ Seal-less Magnetic drive pump
- ☑ Up to 113.5l/min flow
- ☑ Up to 11m head
- ☑ Available in single and three phase supply
- ☑ Encapsulated Magnet for increased chemical compatibility
- ☑ Extensively used in chemical recirculation, chemical transfer, bicarbonate systems, deionised water systems, refrigerators, scrubber systems, detergent mixers, computer cooling, silver recovery systems, marine air conditioners, & many more.

## PERFORMANCE

## SPECIFICATION



## FEATURES

Temp:	Max 93°C
Pressure:	5.1 Bar (System)
Inlet:	1" FPT
Outlet:	3/4" MPT

## WETTED MATERIALS

Front Cover:	PVDF Kynar
O Ring:	Viton
Shaft:	Ceramic
Thrust Washer:	Ceramic
Impeller/Magnet:	PVDF Kynar
Rear Housing:	PVDF Kynar



March May Ltd, Howard Road, Eaton Socon, St. Neots, Cambridgeshire, PE19 8NZ, UK

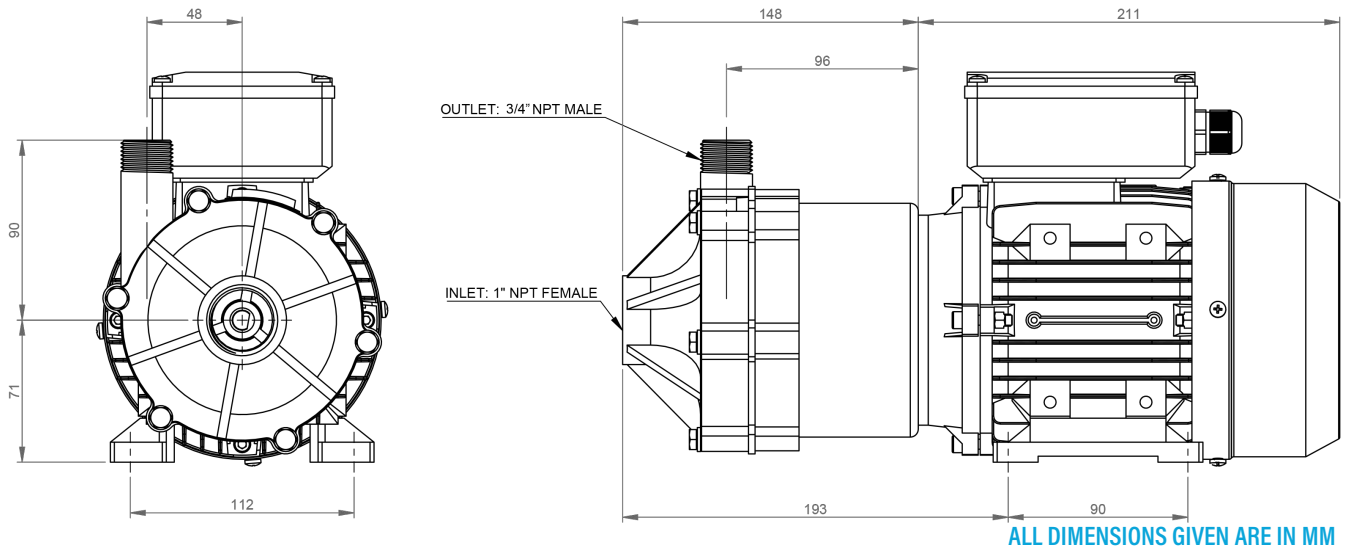
Tel: +44 (0) 1480 214444 Fax: +44 (0) 1480 405336 E-mail: sales@marchmay.co.uk Website: www.marchmay.co.uk

# TE-6K-MD

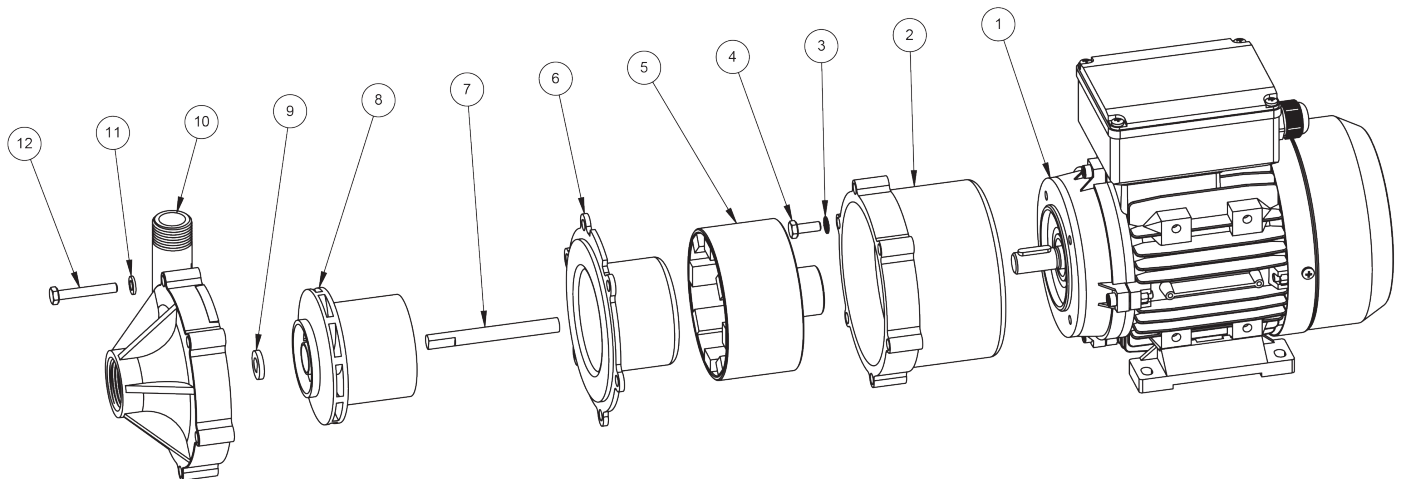


MAGNETICALLY DRIVEN, SINGLE-STAGE CENTRIFUGAL

## DIMENSIONS



## PARTS LIST



REF	DESCRIPTION	CODE	REF	DESCRIPTION	MATERIAL
1	Motor	TE96-241-00	8	Encapsulated Impeller (PVDF/Rulon)	0153-043-07
2	Motor Bracket	0001-060-UK	9	Thrust Washer	0155-009-10
3	Bracket Fixing Washers	0160-100-UK	10	O Ring	0153-015-UK
4	Bracket Fixing Screws	0160-200-UK	11	Front Cover (PVDF)	0153-042-10
5	Drive Magnet	0153-035-02	12	Housing Washer St/St	0160-201-UK
6	Pump Housing (PVDF)	0153-041-01	13	Housing Screw St/St	0160-101-UK
7	Spindle	0153-007-10			



March May Ltd, Howard Road, Eaton Socon, St. Neots, Cambridgeshire, PE19 8NZ, UK

Tel: +44 (0) 1480 214444 Fax: +44 (0) 1480 405336 E-mail: sales@marchmay.co.uk Website: www.marchmay.co.uk