

TE-7.5P-MD-AM



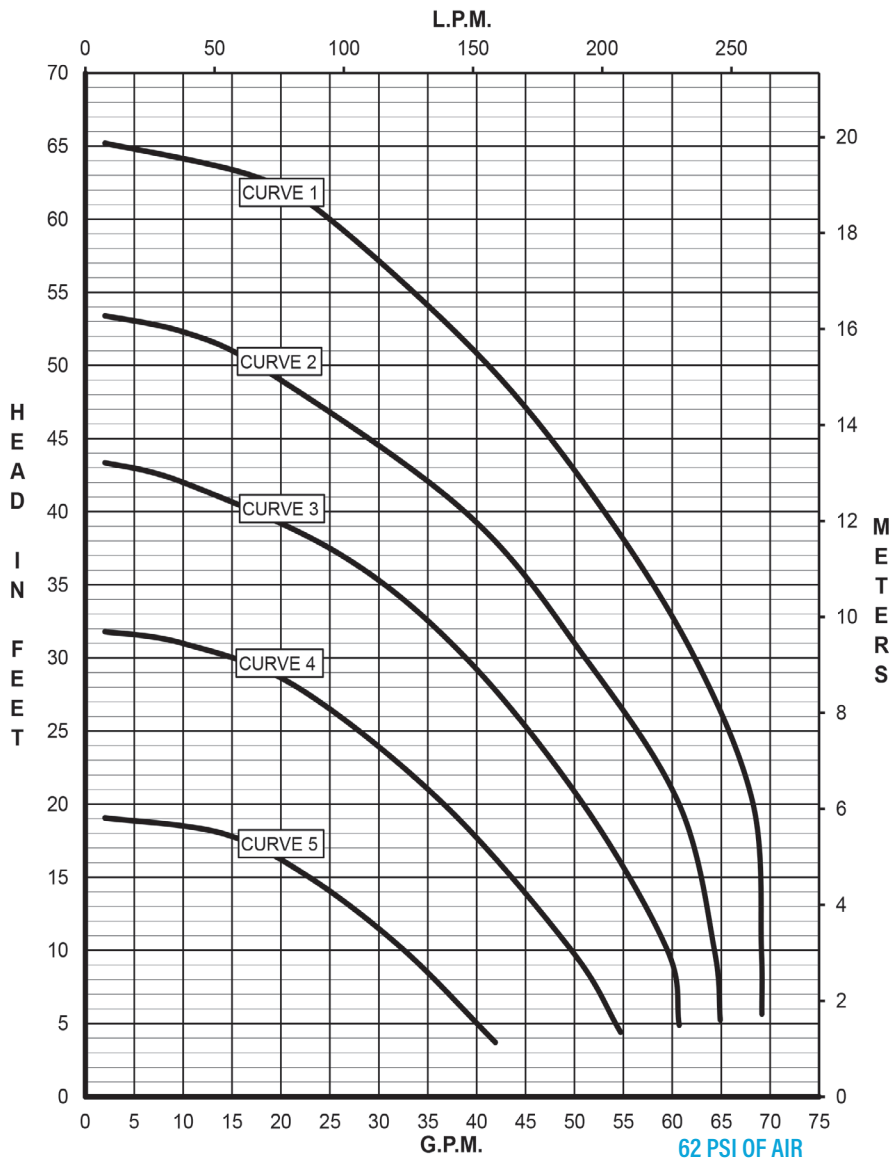
MAGNETICALLY DRIVEN, SINGLE-STAGE CENTRIFUGAL



- ☑ Seal-less Magnetic drive pump
- ☑ Up to 257/min flow
- ☑ Up to 19.8m head
- ☑ Air motor (Max Air Pressure: 62PSI / 4.3 Bar)
- ☑ Encapsulated Magnet for increase chemical compatibility
- ☑ Extensively used in chemical recirculation, chemical transfer, scrubber systems, non ported tanks, and siphon feed tanks

PERFORMANCE

SPECIFICATION



FEATURES

Temp: Max 87°C
 Pressure: 4.1 Bar (System)
 Inlet: 2" MPT
 Outlet: 1 1/2" MPT

WETTED MATERIALS

Front Cover: PP
 O Ring: Viton
 Shaft: Ceramic
 Thrust Washer: Ceramic
 Impeller: PP
 Rear Housing: PP

PSI	CFM	CURVE	RPM	
62	130	1	2800	RPM AT MAX GPM
50	100	2	2550	
40	80	3	2300	
30	55	4	1950	
20	20	5	1550	



March May Ltd, Howard Road, Eaton Socon, St. Neots, Cambridgeshire, PE19 8NZ, UK

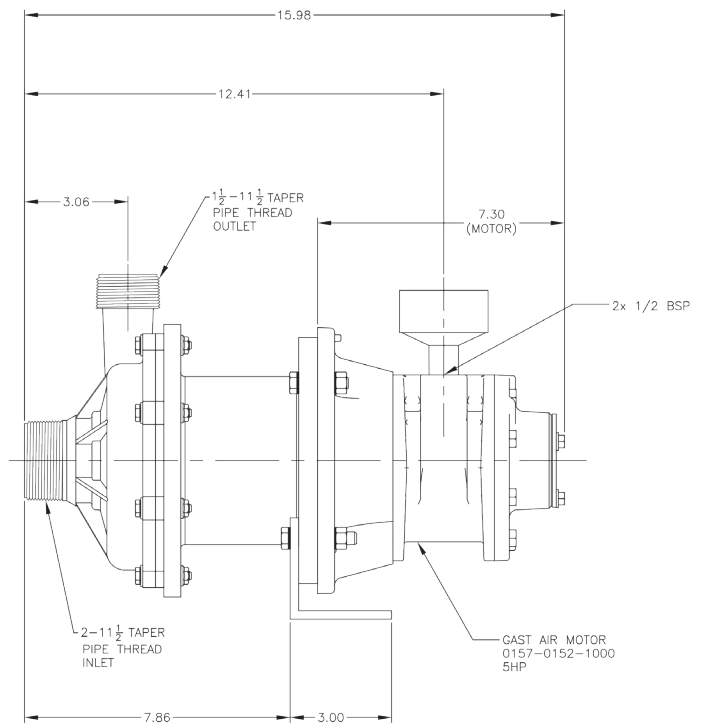
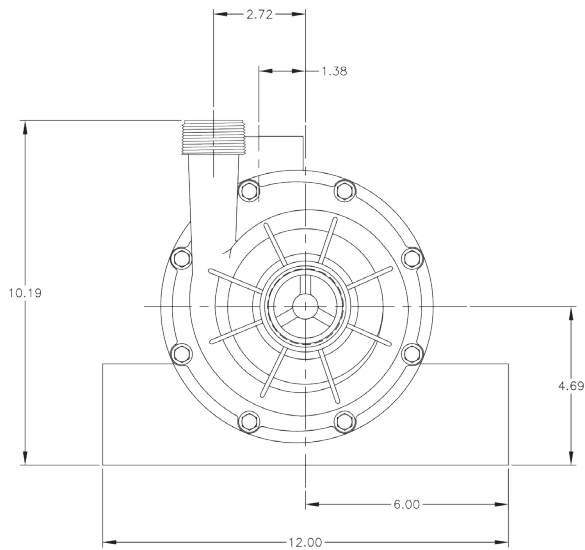
Tel: +44 (0) 1480 214444 Fax: +44 (0) 1480 405336 E-mail: sales@marchmay.co.uk Website: www.marchmay.co.uk

TE-7.5P-MD-AM



MAGNETICALLY DRIVEN, SINGLE-STAGE CENTRIFUGAL

DIMENSIONS



DIMENSIONS GIVEN IN INCHES

PARTS LIST

CONTACT FOR DETAILS



March May Ltd, Howard Road, Eaton Socon, St. Neots, Cambridgeshire, PE19 8NZ, UK

Tel: +44 (0) 1480 214444 Fax: +44 (0) 1480 405336 E-mail: sales@marchmay.co.uk Website: www.marchmay.co.uk