

TE-7S-MD



MAGNETICALLY DRIVEN, SINGLE-STAGE CENTRIFUGAL

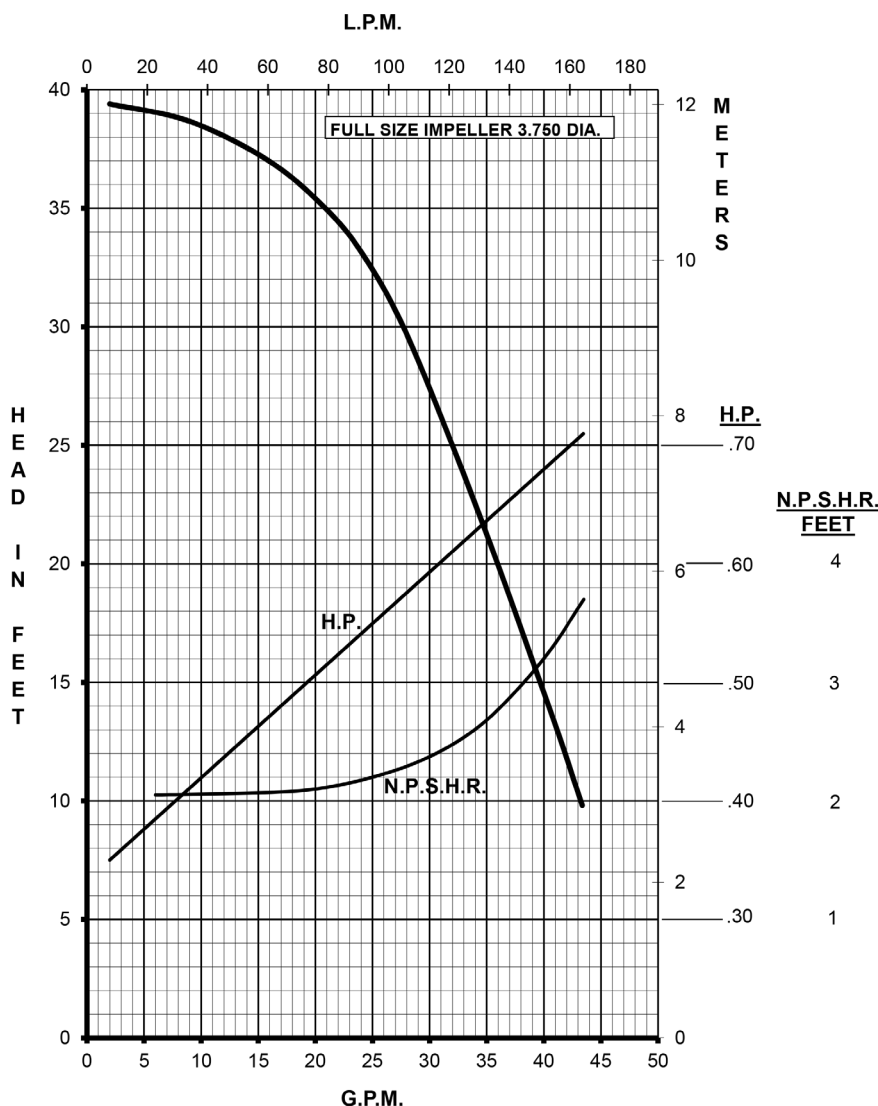


PLEASE NOTE THAT PUMP MAY DIFFER FROM PRODUCT SHOWN

- Seal-less Magnetic drive pump
- Up to 200l/min flow
- Up to 17.5m head
- Available in single and three phase supply
- Encapsulated Magnet for increased chemical compatibility
- Extensively used in chemical recirculation, chemical transfer, refrigerators, scrubber systems, detergent mixers, computer cooling, carbon arc furnace cooling, silver recovery systems, marine air conditioners, and many more

PERFORMANCE

SPECIFICATION



FEATURES

Temp:	Max 120°C
Pressure:	13.8 Bar (System)
Inlet:	1 1/2" FPT
Outlet:	1" MPT

WETTED MATERIALS

Front Cover:	316 Stainless Steel
O Ring:	Viton
Shaft:	Ceramic
Thrust Washer:	Ceramic
Impeller/Magnet:	316 Stainless Steel
Rear Housing:	316 Stainless Steel



March May Ltd, Howard Road, Eaton Socon, St. Neots, Cambridgeshire, PE19 8NZ, UK

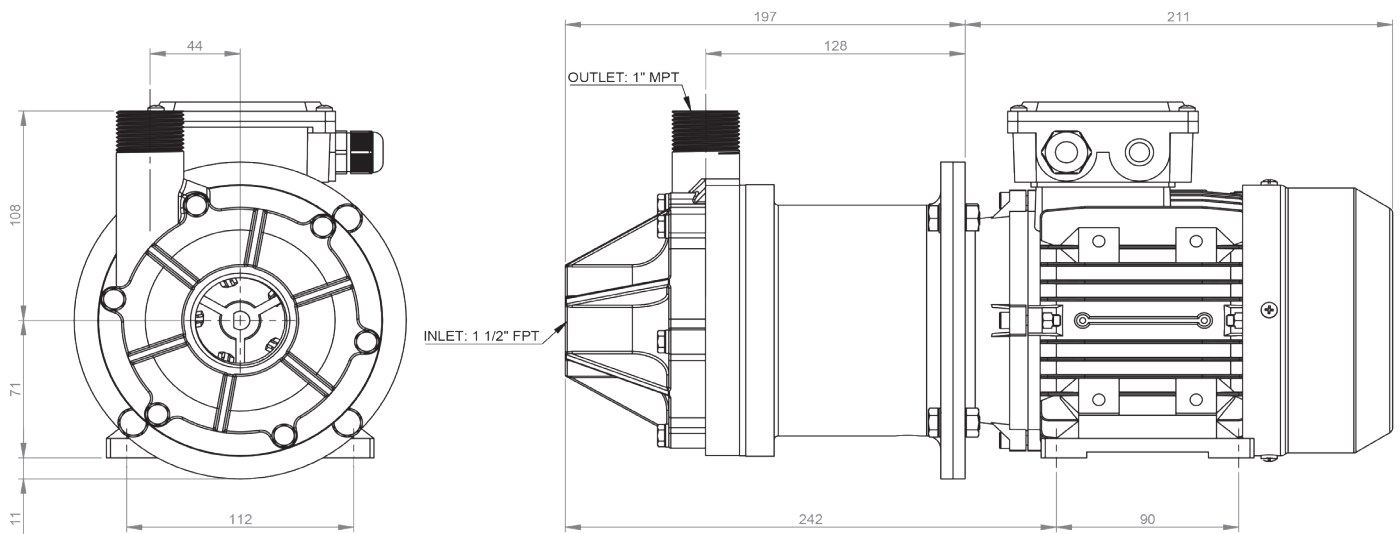
Tel: +44 (0) 1480 214444 Fax: +44 (0) 1480 405336 E-mail: sales@marchmay.co.uk Website: www.marchmay.co.uk

TE-7S-MD



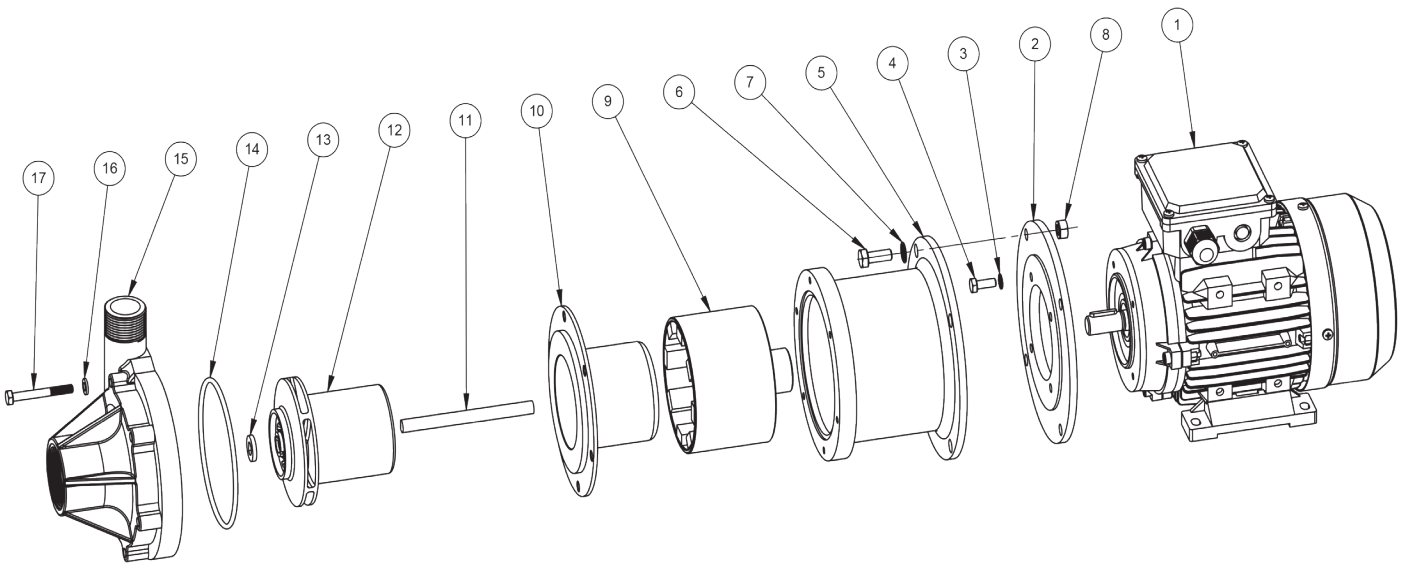
MAGNETICALLY DRIVEN, SINGLE-STAGE CENTRIFUGAL

DIMENSIONS



ALL DIMENSIONS GIVEN ARE IN MM

PARTS LIST



REF	DESCRIPTION	CODE	REF	DESCRIPTION	CODE
1	Motor	TE96-141-00	10	Rear Housing St/St	0155-035-00
2	Adaptor Ring	Contact For Details	11	Shaft	0155-117-UK
3	Adaptor Fixing Washers	0160-100-UK	12	Impeller	0155-112-04
4	Adaptor Fixing Screws	0160-200-UK	13	Thrust Washer	0155-009-10
5	Motor Bracket	1095-015-00	14	O Ring	0155-010-UK
6	Bracket Fixing Screw	0156-074-51	15	Pump Housing St/St	0155-036-00
7	Bracket Fixing Washer	0156-071-UK	16	Housing Washer St/St	0160-201-UK
8	Bracket Fixing Nut	0156-070-UK	17	Housing Screw St/St	0170-100-UK
9	Drive Mager	0155-131-UK			



March May Ltd, Howard Road, Eaton Socon, St. Neots, Cambridgeshire, PE19 8NZ, UK

Tel: +44 (0) 1480 214444 Fax: +44 (0) 1480 405336 E-mail: sales@marchmay.co.uk Website: www.marchmay.co.uk