

NH-553PWH (50HZ)

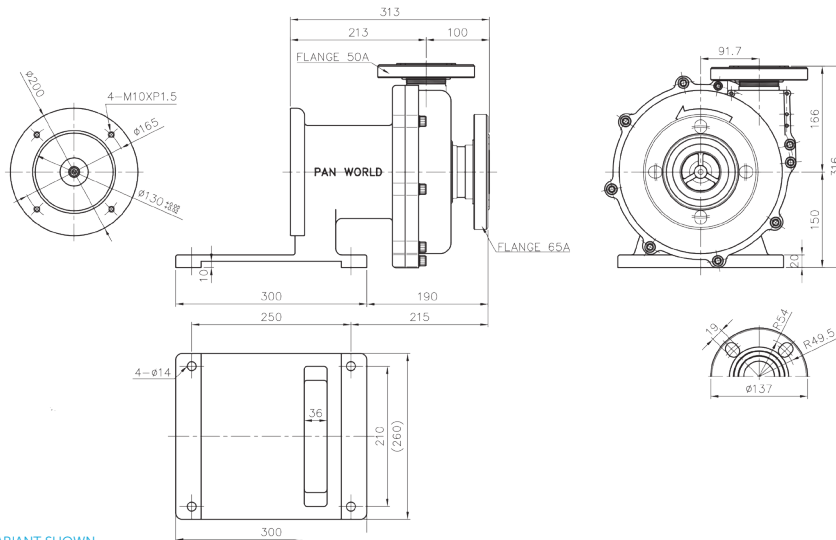


MAGNETICALLY DRIVEN, SINGLE-STAGE CENTRIFUGAL



- ☑ Up to 650l/min flow
- ☑ Up to 27m head
- ☑ Available with Threaded or Flange connections
- ☑ Easy Maintenance
- ☑ Long operating lifespan

SPECIFICATION



FLANGED VARIANT SHOWN

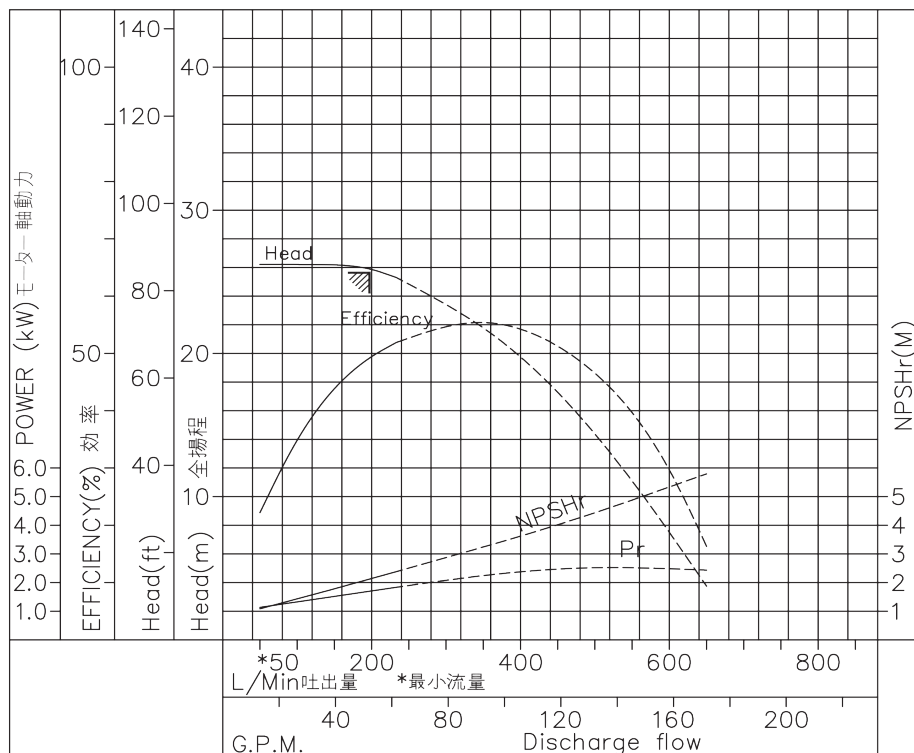
FEATURES

Temp:	Max 70°C
Pressure:	4.5 Bar (System)
Connections:	2" x 2 1/2" Gas 50A x 65A

WETTED MATERIALS

Front Cover:	PPG
O Ring:	Viton
Impeller:	PPG
Shaft:	Ceramic
Thrust Washer:	Ceramic
Rear Housing:	PPG

PERFORMANCE



S.G: 1.3
IMPELLER SIZE
138.5MM



March May Ltd, Howard Road, Eaton Socon, St. Neots, Cambridgeshire, PE19 8NZ, UK

Tel: +44 (0) 1480 214444 Fax: +44 (0) 1480 405336 E-mail: sales@marchmay.co.uk Website: www.marchmay.co.uk