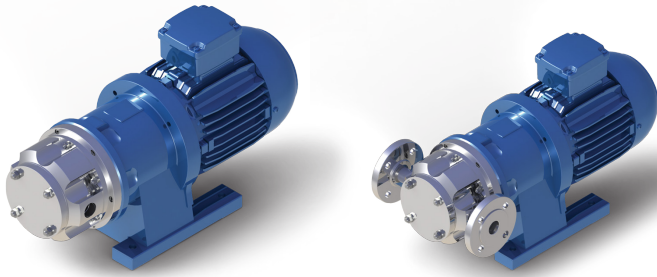


SVM 1X SERIES (4P)



MAGNETICALLY DRIVEN, ROTARY VANE PUMP



- ☑ Positive Displacement Pump
- ☑ Up to 450l/hour flow
- ☑ Up to 14 bar
- ☑ Available with threaded or flanged connections
- ☑ Self Priming
- ☑ Usable with high viscosity fluids

SPECIFICATION

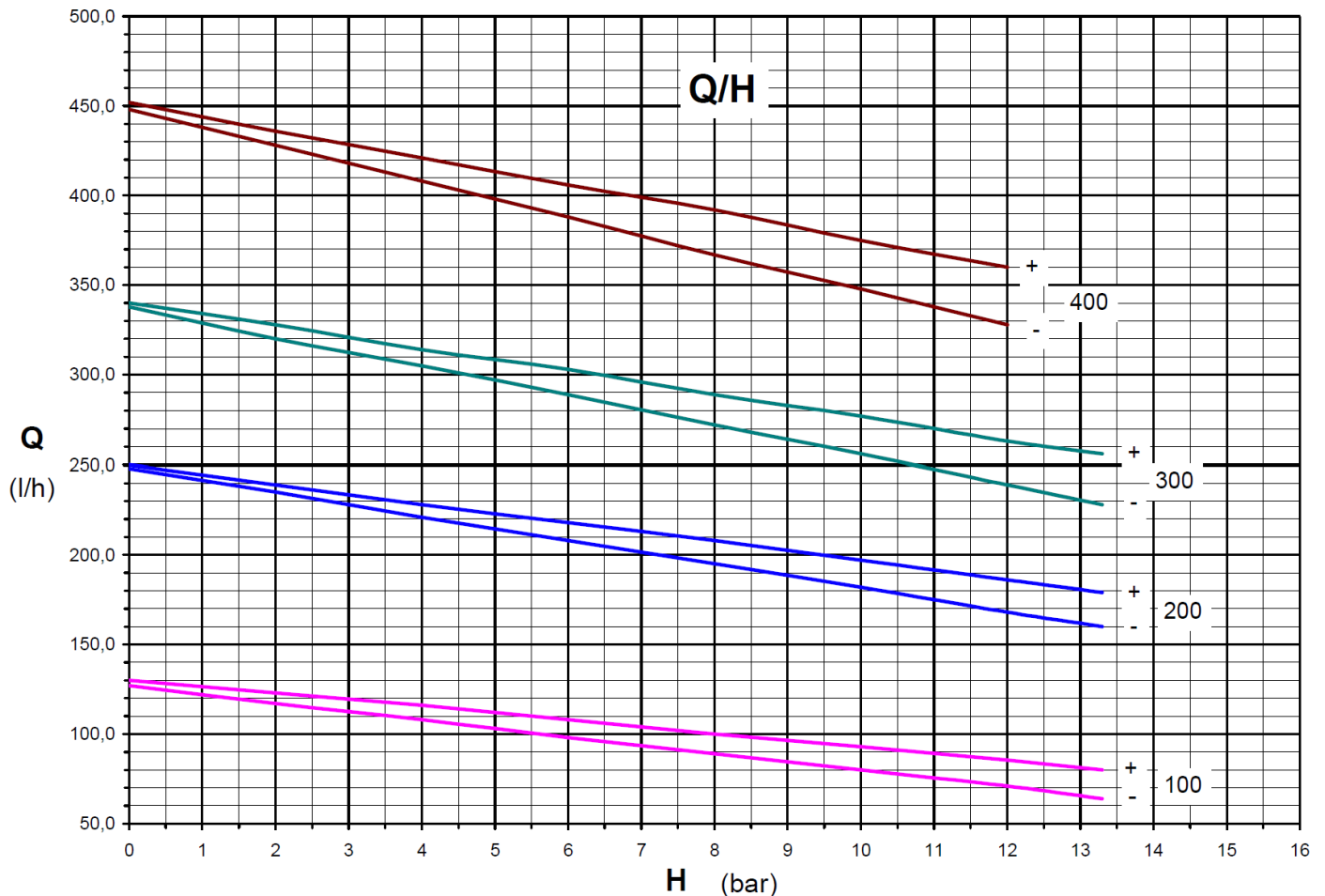
FEATURES

Temp: Max 200°C
Pressure: 16 Bar (System)
Connections: BSP Threaded
PN16 Flange
ANSI 150 Flange

WETTED MATERIALS

Front Cover: SS316
O Ring: Viton
Rotor: SS316
Cartridge Set: Carbon Graphite
Rear Housing: SS316

PERFORMANCE



March May Ltd, Howard Road, Eaton Socon, St. Neots, Cambridgeshire, PE19 8NZ, UK

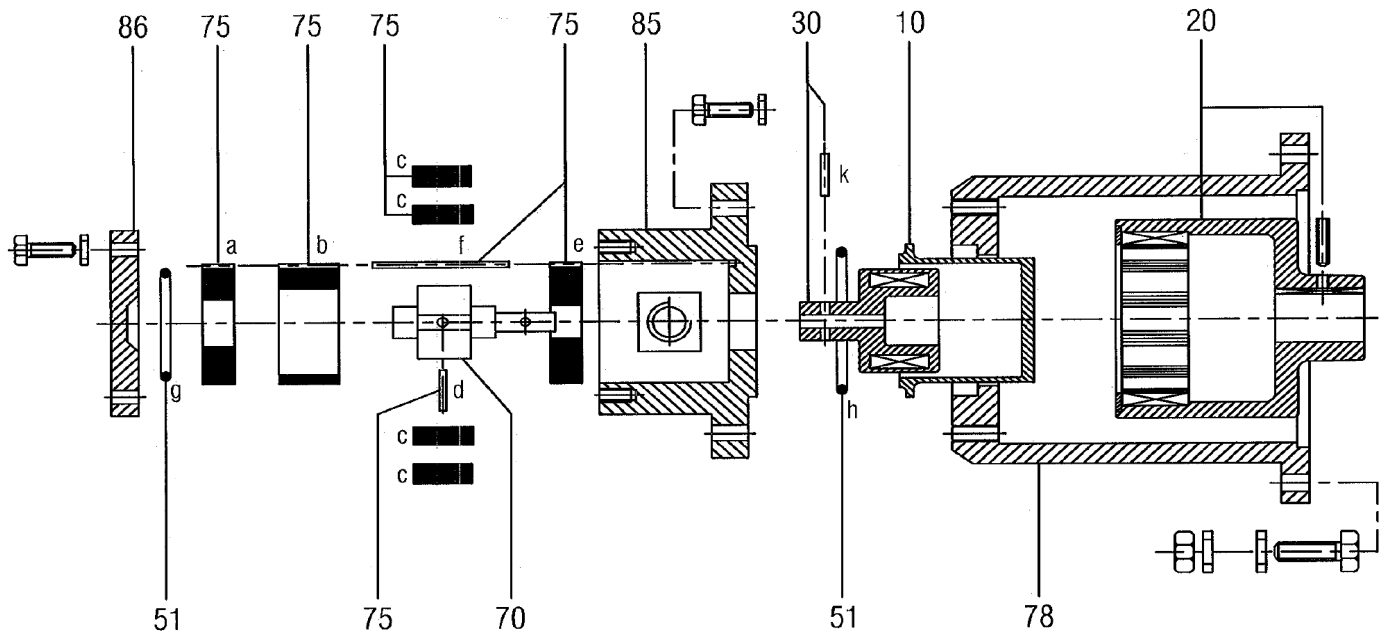
Tel: +44 (0) 1480 214444 Fax: +44 (0) 1480 405336 E-mail: sales@marchmay.co.uk Website: www.marchmay.co.uk

SVM 1X SERIES (4P)



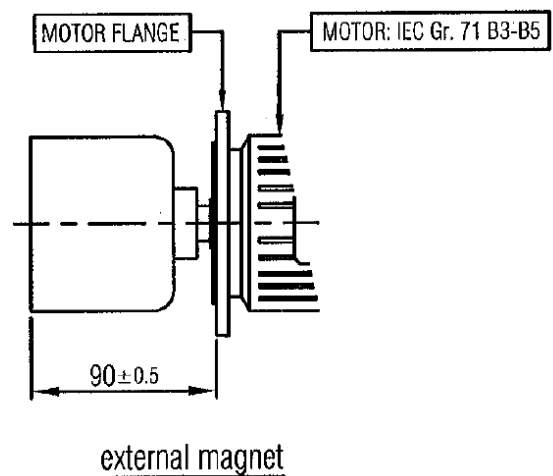
MAGNETICALLY DRIVEN, ROTARY VANE PUMP

DIMENSIONS



| REF | DESCRIPTION | MATERIAL |
|-----|--|--|
| 10 | Rear Casing | SS316 |
| 20 | Ext. Magnet | Neodym / Steel |
| 30 | Int. Magnet (INCL. SCREW) | SS316 / CoSm SS316 |
| 51 | O Rings (G+H) G) O RING 4150 (222) H) O RING 4250 (230) | Viton |
| 70 | Rotor Shaft (INCL. KEY) | SS316 SS316 |
| 75 | Cartridge Graphite (A+B+C+D+E+F) A = FRONT FLANGE B = STATOR C = VANES D = VANE SPACING PINS E = REAR FLANGE F = GUIDE PINS | GRAPH GRAPH GRAPH SS316 GRAPH SS316 |

| REF | DESCRIPTION | MATERIAL |
|-----|--------------------------|-----------|
| 78 | Bracket (200-130-24) | Cast Iron |
| 78a | Adaptor Flange | SS316 |
| 80 | Kit Spares (51+70+75) | - |
| 85 | Pump Body | SS316 |
| 86 | End Cover | SS316 |



March May Ltd, Howard Road, Eaton Socon, St. Neots, Cambridgeshire, PE19 8NZ, UK

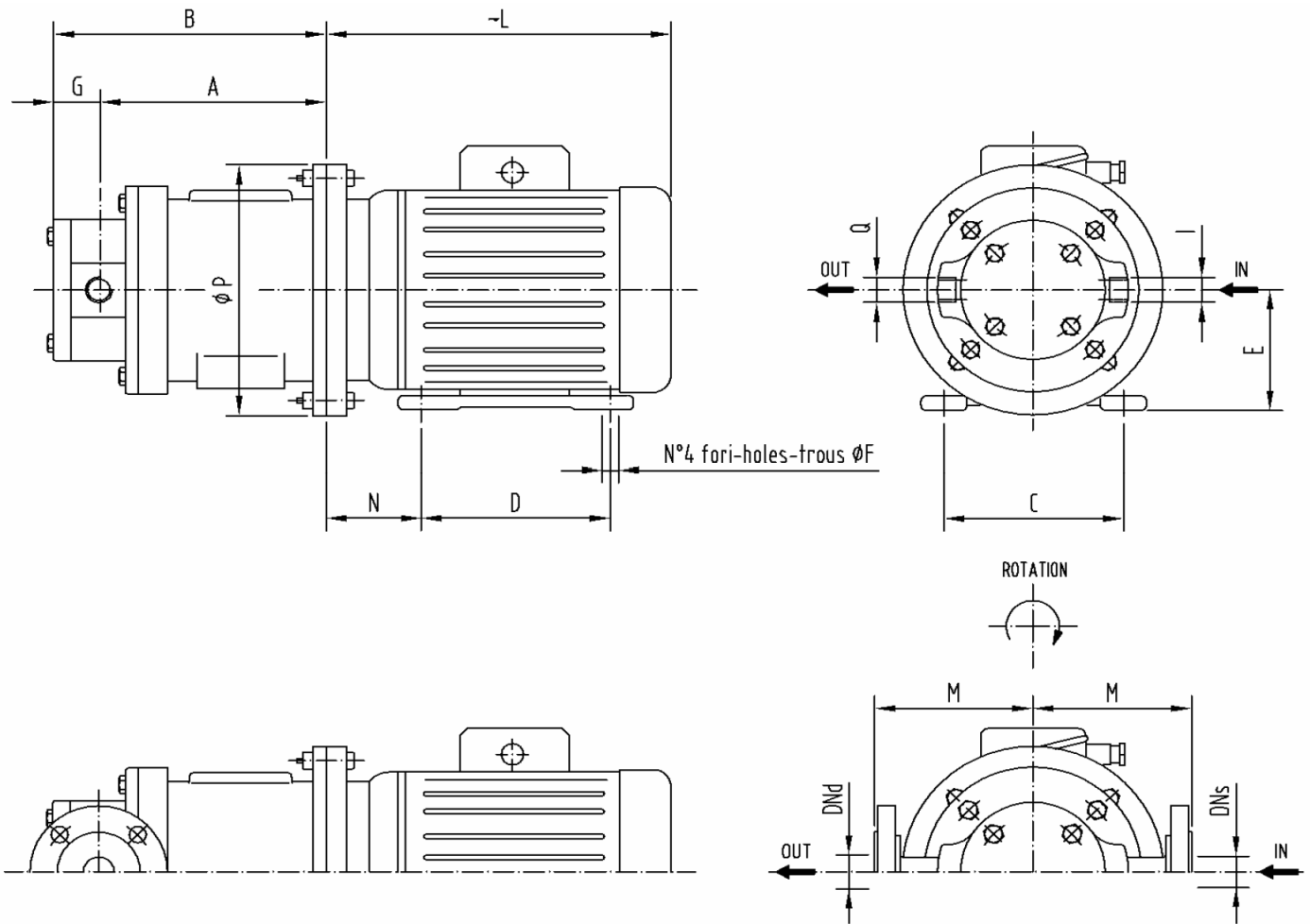
Tel: +44 (0) 1480 214444 Fax: +44 (0) 1480 405336 E-mail: sales@marchmay.co.uk Website: www.marchmay.co.uk

SVM 1X SERIES (4P)



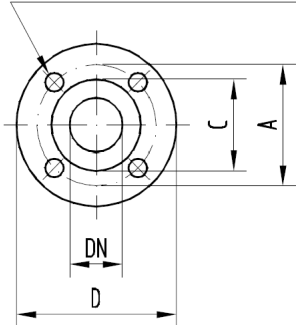
MAGNETICALLY DRIVEN, ROTARY VANE PUMP

DIMENSIONS



| MODEL | DNs / I | | DNd / Q | | A | B | C | D | E | F | G | L | M | N | P |
|-------------|---------|------|---------|------|-----|-----|-----|-----|----|---|----|-----|----|----|-----|
| | mm | GAS | mm | GAS | | | | | | | | | | | |
| SVM 1x... | 15 | 3/8" | 15 | 3/8" | 127 | 153 | 112 | 90 | 71 | 7 | 26 | 210 | 91 | 45 | 160 |
| SVM 1.5x... | 20 | 1/2" | 20 | 1/2" | 168 | 204 | 125 | 100 | 80 | 9 | 36 | 230 | 97 | 50 | 200 |

N° F fori-holes-trous ØG



| DN | UNI PN 16 | | | | |
|----|-----------|----|----|---|----|
| | D | C | A | F | G |
| 15 | 95 | 45 | 65 | 4 | 14 |
| 20 | 105 | 58 | 75 | 4 | 14 |

| Ø | ANSI 150 RF | | | | |
|------|-------------|------|------|---|------|
| | D | C | A | F | G |
| 1/2" | 88.9 | 34.9 | 60.3 | 4 | 15.9 |
| 3/4" | 98.4 | 42.9 | 69.8 | 4 | 15.9 |



March May Ltd, Howard Road, Eaton Socon, St. Neots, Cambridgeshire, PE19 8NZ, UK

Tel: +44 (0) 1480 214444 Fax: +44 (0) 1480 405336 E-mail: sales@marchmay.co.uk Website: www.marchmay.co.uk