

TD5 Beer brewing pump

FDA

18 Bar

110°C

Micro DC Brushless Pump

Typical Applications

- Home Beer Brewing Pump
- Hot Water Circulation
- Beverage Dispenser
- General Liquid Transfer

Standard Version Pump



Specification

| Model | Product Code | Rated Voltage (VDC) | Max Water Flow (L/min) | Max Water Head (M) | Max Current (A) | Max Power (W) | at Max Efficiency Point | |
|-------|--------------|---------------------|------------------------|--------------------|-----------------|---------------|-------------------------|-----------------|
| | | | | | | | Rated Spec. (L/min @ M) | Rated Power (W) |
| TD5 | TD5-A24-2505 | 24 | 25 | 4.5 | 1.2 | 28.8 | 13.52 @ 2.56 | 28.08 |

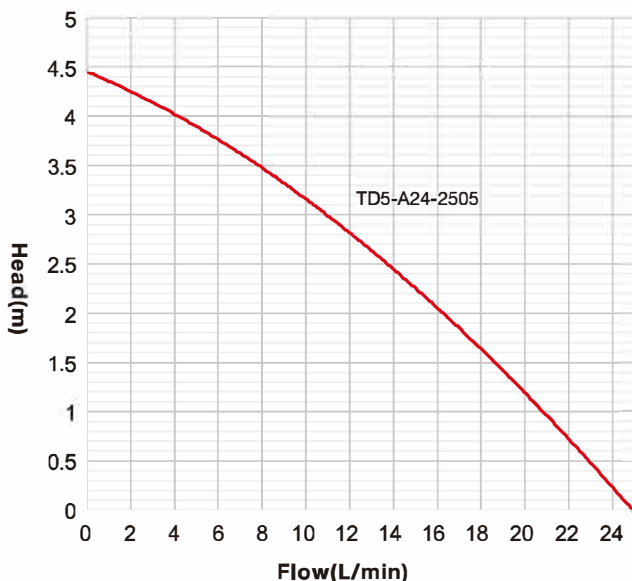
Customization: 1. /PWM or /5V speed control 2. /FG (RPM) signal wire

- The data in the table is the measured performance when pure water is delivered at normal temperature.
- The maximum flow rate is the flow rate when water head is 0 meter, and the highest lift is the lift when water flow is 0 L/min.
- Rated power means the power at the optimum efficiency point.
- Noise ≤ 50dB(A), the noise is measured from 1m in front of the pump.

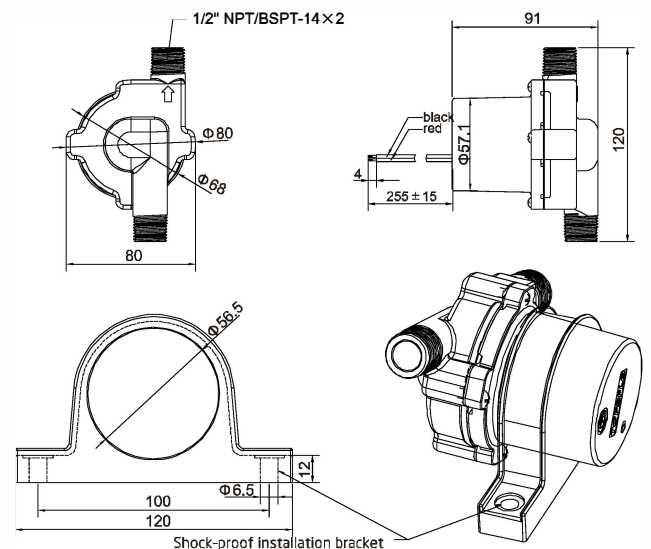
- Working mode: Continuous
- IP level: IP52
- Coil Insulation class: Class F
- Ambient temperature: -40°C ~40°C
- Liquid temperature: -40°C (non-frozen)~110°C
- Do Not Run Pumps Dry. Pumps must be in a continuous flooded suction environment.

Curve & Dimension

TD5 Performance



Dimension (mm)



March May Ltd, Howard Road, Eaton Socon, St. Neots, Cambridgeshire, PE19 8NZ, UK

Tel: +44 (0) 1480 214444 Fax: +44 (0) 1480 405336

E-mail: sales@marchmay.co.uk Website: www.marchmay.co.uk