

TD5/PV Solar pump

Micro DC Brushless Pump

110°C

18 Bar

20000H

Typical Applications

- Solar Water Heating System
- Hot Water Circulation
- Radiant Floor Heating
- Heat Transfer Application
- Cooling System
- Food-grade Liquid Transfer



Specification

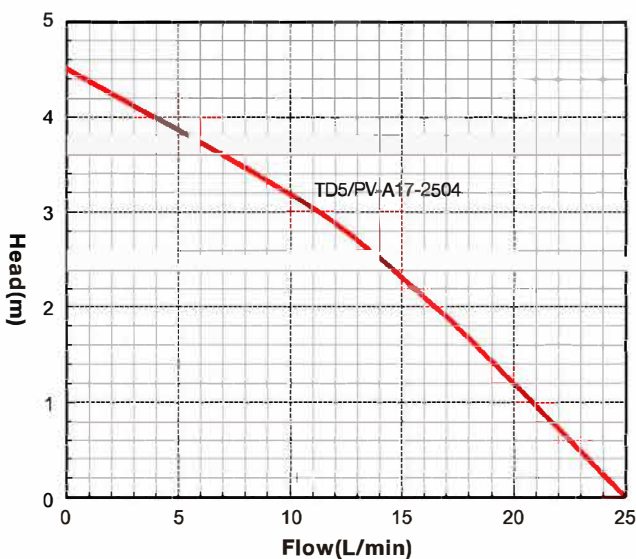
Model	Product Code	Rated Voltage (VDC)	Max Water Flow (L/min)	Max Water Head (M)	Max Current (A)	Max Power (W)
TD5/PV	TD5/PV-A17-2504	17	25	4.5	1.4	23.8

Customization: 1. /FG (RPM) signal wire

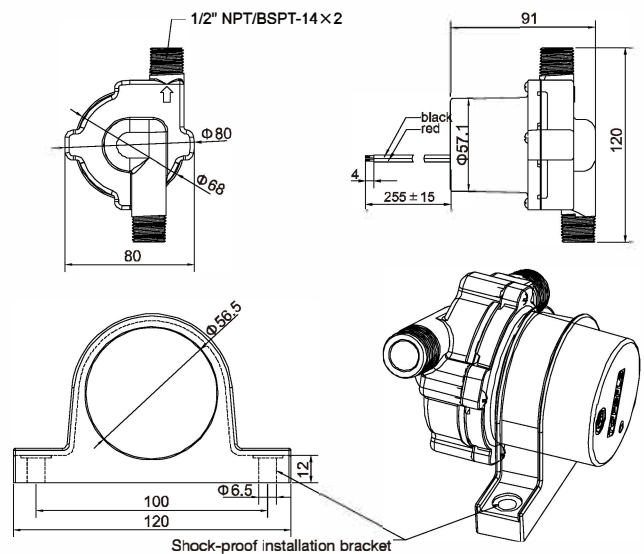
- The data in the table is the measured performance when pure water is delivered at normal temperature.
- The maximum flow rate is the flow rate when water head is 0 meter, and the highest lift is the lift when water flow is 0 L/min.
- Rated power means the power at the optimum efficiency point.
- Noise ≤ 50dB(A), the noise is measured from 1m in front of the pump.
- Working mode: Continuous
- IP level: IP52
- Coil Insulation class: Class F
- Ambient temperature: -40°C ~ 40°C
- Liquid temperature: -40°C (non-frozen) ~ 110°C
- Do Not Run Pumps Dry. Pumps must be in a continuous flooded suction environment.

Curve & Dimension

TD5 Performance



Dimension (mm)



March May Ltd, Howard Road, Eaton Socon, St. Neots, Cambridgeshire, PE19 8NZ, UK

Tel: +44 (0) 1480 214444 Fax: +44 (0) 1480 405336

E-mail: sales@marchmay.co.uk Website: www.marchmay.co.uk